

MAIA SPOTLIGHT LED

DECORATIVE SPOTLIGHT LUMINAIRE
WITH LED LIGHT SOURCE



MAIA LED SPOTLIGHT is a directional spotlight that will illuminate and highlight any desired object or surface. The luminaire is mounted using a bracket, which allows for any configuration of the setting. Small size, modern design and aesthetic appearance allow for its use in sites such as: offices, shops, malls, as well as in industrial buildings as a workspace illuminator. MAIA LED SPOTLIGHT, thanks to its compact housing made of aluminium, perfectly dissipates heat, which translates into a long service life. The possibility of adjusting the luminaire's beam angle and color rendering index as well as the colour of the luminaire itself to individual requirements are additional advantages that make this product unique. You can be sure that this luminaire will put your products in the spotlight!

TECHNICAL DATA

| | |
|------------------------------|---|
| Light source | COB |
| Power consumption | 20 W |
| Luminaire luminous flux | 2 200 - 2 540 lm |
| Luminaire efficacy | 115 - 125 lm/W |
| Colour temperature | 4 000 K, inne na zapytanie |
| Colour rendering index (CRI) | >80, >90 |
| Lumen maintenance output | 100 000 h (L80B10) |
| Operating temperature | -25°C do +40°C |
| Beam angles | 15°, 24°, 36°, 60° |
| Material | aluminum |
| Finish | powder coating |
| Colour | anthracite; white, other colours on request |
| Optics | reflector |
| Diffuser | PMMA or tempered glass |
| Ingress protection rating | IP20, IP65 on request |
| Impact protection rating | IK03, IK09 on request |
| Weight | 0.5 kg |
| Voltage | 230 V |
| Frequency | 50/60 Hz |
| Warranty | 5 years |
| Control systems | optional |

FAMILY

| INDEX NO | NAME | POWER | LUMINAIRE LUMINOUS FLUX | LUMINAIRE EFFICACY | RA/CRI |
|--------------------|---|-------|-------------------------|--------------------|--------|
| S600200012XXXXXXA1 | MAIA SPOTLIGHT 20 W, COB LED, CRI 80, OPT | 20 W | 2 500 lm | 125 lm/W | >80 |
| S600200013XXXXXXA1 | MAIA SPOTLIGHT 20 W, COB LED, CRI 90, OPT | 20 W | 2 300 lm | 115 lm/W | >90 |

When ordering, please specify the desired beam angle curve and colour temperature.

COLORS & ACCESSORIES



Sample color options. When ordering, please specify the selected color.



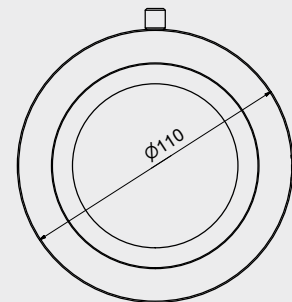
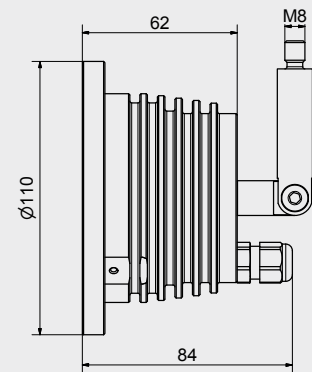
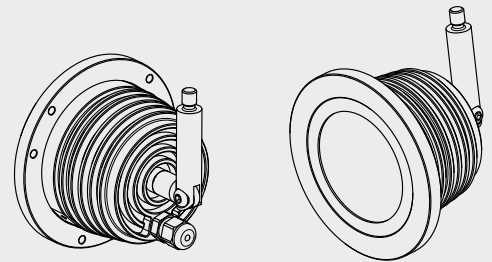
LUMI TEAM Sp. z o.o.
Wanaty, Warszawska 2E
42-260 Kamienica Polska
POLSKA

Tel: + 48 34 347 42 80
E-mail: info@lumiteam.eu
www.lumiteam.eu

KEY ADVANTAGES

- versatile use
- a wide range of colors
- resistance to high temperature
- lifetime up to 100 000 h (L80B10)
- the movable handle enables precise directing of the light beam
- high resistance to weather conditions
- modern design and durable finish
- made in Poland

DIMENSIONS [MM]



APPLICATION:

- offices
- shops
- advertising backlight
- hotels
- museums
- shopping centre
- restaurants
- gardens

