

TURBINO

LED HIGH BAY

CIRCULAR LED FIXTURE FOR SINGLE
SUSPENSION MOUNTING



The TURBINO LED HIGH BAY is a LED luminaire with a classic, circular shape and high resistance to impacts and sealing. It is dedicated for applications requiring single suspension mounting and will primarily be used in production halls and large-area warehouses, but also in sports halls and gymnasiums. The luminaire with an elegant, circular design has been engineered for those who prefer perfectly symmetrical light distribution in their space. TURBINO LED HIGH BAY utilizes optics made of high-quality PMMA, ensuring not only excellent lighting properties but also resistance to chemicals and UV radiation. This compact luminaire, available at an exceptionally favorable price, will soon enrich the Lumi Team luminaire portfolio.

TECHNICAL DATA

Light source	LED
Power consumption	60 - 160 W
Luminaire luminous flux	8 800 - 22 400 lm
Luminaire efficacy	132 - 160 lm/W
Colour temperature	4 000 K, 5 700 K
Colour rendering index (CRI)	70, 80
Lumen maintenance output	100 000 h (L80B10)
Operating temperature	-40°C do +40°C
Beam angles	60°, 90°
Material	high-pressure die-cast aluminium
Colour	anthracite
Optics	PMMA
Finish	powder coating
Ingress protection rating	P66/IP67
Impact protection rating	IK09
Weight*	4 kg*
Voltage	230 V
Frequency	50 Hz
Warranty	5 years
Control systems	optional

FAMILY

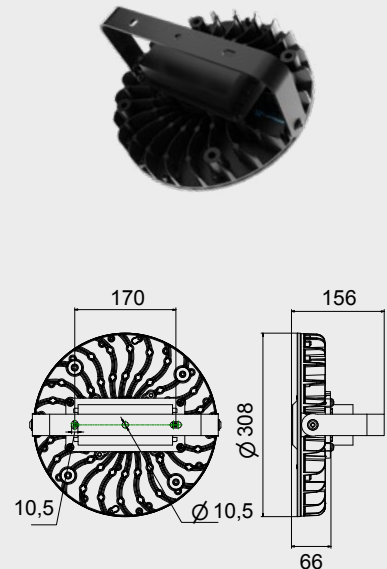
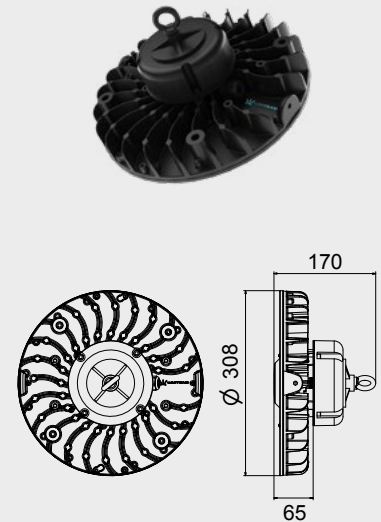
INDEX NO	NAME	POWER	LUMINAIRE LUMINOUS FLUX	LUMINAIRE EFFICACY	RA/CRI	MAX OPERATING TEMPERATURE
S800601601XXXXXBKEA1	TURBINO 60 W, 160 LED, CRI 70	60 W	9 600 lm	160 lm/W	70	40°C
S800801601XXXXXBKEA1	TURBINO 80 W, 160 LED, CRI 70	80 W	12 500 lm	157 lm/W	70	40°C
S801001601XXXXXBKEA1	TURBINO 100 W, 160 LED, CRI 70	100 W	15 300 lm	153 lm/W	70	40°C
S801201601XXXXXBKEA1	TURBINO 120 W, 160 LED, CRI 70	120 W	18 000 lm	150 lm/W	70	40°C
S801401601XXXXXBKEA1	TURBINO 140 W, 160 LED, CRI 70	140 W	20 300 lm	145 lm/W	70	40°C
S801601601XXXXXBKEA1	TURBINO 160 W, 160 LED, CRI 70	160 W	22 400 lm	140 lm/W	70	40°C
S800601602XXXXXBKEA1	TURBINO 60 W, 160 LED, CRI 80	60 W	8 800 lm	147 lm/W	80	40°C
S800801602XXXXXBKEA1	TURBINO 80 W, 160 LED, CRI 80	80 W	11 500 lm	144 lm/W	80	40°C
S801001602XXXXXBKEA1	TURBINO 100 W, 160 LED, CRI 80	100 W	14 000 lm	141 lm/W	80	40°C
S801201602XXXXXBKEA1	TURBINO 120 W, 160 LED, CRI 80	120 W	16 500 lm	138 lm/W	80	40°C
S801401602XXXXXBKEA1	TURBINO 140 W, 160 LED, CRI 80	140 W	18 600 lm	133 lm/W	80	40°C
S801601602XXXXXBKEA1	TURBINO 160 W, 160 LED, CRI 80	160 W	20 600 lm	129 lm/W	80	40°C

When ordering, please specify the desired beam angle curve and colour temperature.

KEY ADVANTAGES

- power up to 160 W
- luminaire efficacy 160 lm/W
- lifetime up to 100 000 h (L80B10)
- versatile use
- can be adapted to any control system
- modern design and solid workmanship (IP66/67, IK09)
- setting (adjustable handle)
- two mounting methods
- made in Poland

DIMENSIONS [MM]



APPLICATION:

- production halls
- foundries, steel works, etc.
- large-areas warehouses
- large-areas logistic centers
- multi-sports halls



LUMI TEAM Sp. z o.o.
Wanaty, Warszawska 2E
42-260 Kamienica Polska
POLSKA

Nr tel: + 48 34 347 42 80
E-mail: info@lumiteam.eu
www.lumiteam.eu