

BEETLE II

LED FLOODLIGHT QUATTRO

HIGH BAY LED FLOODLIGHTS WITH
MAXIMUM POWER



BEETLE II LED FLOODLIGHT QUATTRO is a modular lighting solution for sports facilities, airports or loading docks. It's the right choice wherever strong lighting is needed high up. Due to the fact that BEETLE II LED FLOODLIGHT QUATTRO luminaires are characterised by a strong luminous flux, high luminous efficiency and high temperature resistance, this set is not only energy-saving but also very durable. Free configuration of the number of luminaires and power selection allows for ideal adjustment of BEETLE II LED FLOODLIGHT QUATTRO to customer needs. In addition, the steel structure supporting the luminaires is customised to fit the façade or pole.

TECHNICAL DATA

Light source	LED
Power consumption	1 200 W
Luminaire luminous flux	159 600 lm
Luminaire efficacy	141 lm/W
Colour temperature	4 000 K, 5 700 K, other colours on request
Colour rendering index (CRI)	70
Lumen maintenance output	100 000 h (L80B10)
Operating temperature	-40°C do +45°C
Beam angles	20°, 30°, 60°, 90°, asymmetric, other on request
Material	high-pressure die-cast aluminium
Colour	anthracite; other colours on request
Finish	powder coating
Optics	PMMA
Glass	tempered glass
Ingress protection rating	IP66/67
Impact protection rating	IK09
Weight	1 luminaire - 9 kg
Voltage	230 V
Frequency	50 Hz
Warranty	5 years
Control systems	optional

FAMILY

INDEX NO	NAME	POWER	LUMINAIRE LUMINOUS FLUX	LUMINAIRE EFFICACY	RA/CRI	OPERATING TEMPERATURE
S54M00XXX1XXXMXAKEA1	BEETLE II FL QUATTRO 1000 W, CRI 70	1000 W	141 200 lm	141 lm/W	70	45°C
S54M20XXX1XXXMXAKEA1	BEETLE II FL QUATTRO 1200 W, CRI 70	1200 W	159 600 lm	133 lm/W	70	40°C

When ordering, please specify the desired beam angle curve and colour temperature.

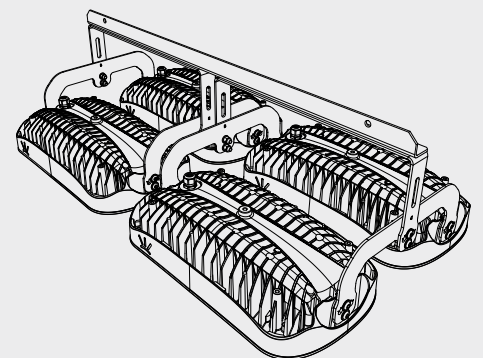
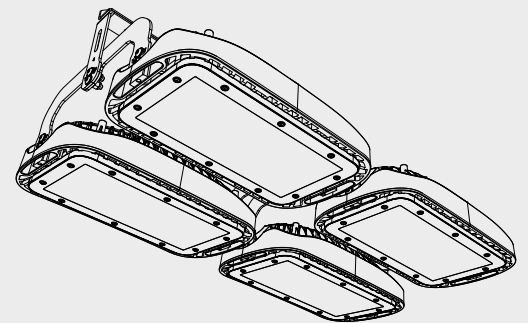
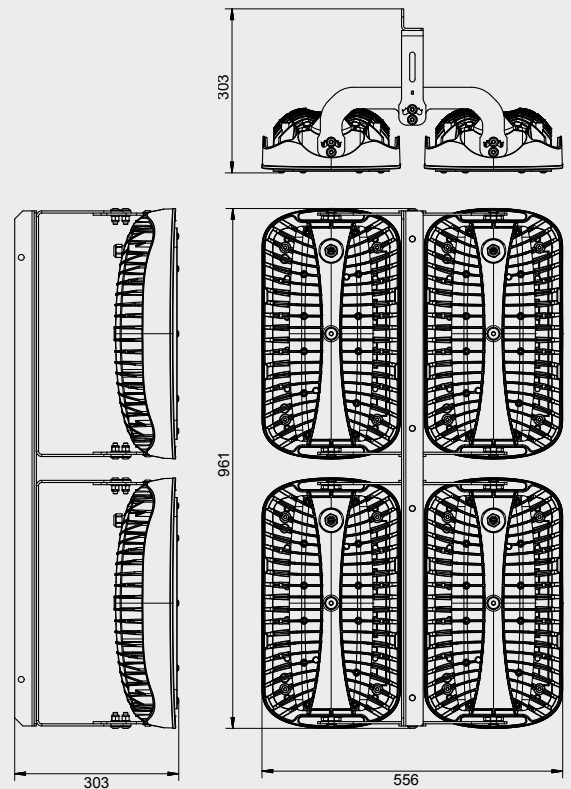
KEY ADVANTAGE

- exceptional luminaire efficacy up to 141 lm/W
- power up to 1 200 W
- service life up to 100 000 h (L80B10)
- high temperature resistance (LUMI COOL®)
- possibility to order steel construction made to measure
- power supply can be mounted externally on ground
- possibility to combine any number of luminaires depending on the required luminous flux
- wide range of power and beam angles
- easy assembly and setting (adjustable handle)
- can be adapted to any control system
- italian design and solid workmanship (IP66/67, IK09)
- made in EU

APPLICATION:

- outdoor sports facilities
- logistics hubs
- airports and stations
- loading docks
- city squares and intersections
- parking areas

DIMENSIONS [MM]



LUMI TEAM Sp. z o.o.
Wanaty, Warszawska 2E
42-260 Kamienica Polska
POLSKA

Tel: + 48 34 347 42 80
E-mail: info@lumiteam.eu
www.lumiteam.eu