



SQUARE SPORT LED is a high bay luminaire designed for sport facilities. It is characterized by high power and high luminous flux but most of all by excellent luminous efficiency, which translates into immediate savings. The luminaire is equipped with tempered glass, which guarantees effective protection even in most difficult conditions, as well as a vandal-resistant grille made of steel for additional shielding against mechanical damage. A large selection of power and optic type allows us to precisely select the right lighting for our customers, making this compact LED luminaire an instant hit.

TECHNICAL DATA

Light source	LED
Power consumption	50 - 150 W
Luminaire luminous flux	6 600 - 24 700 lm
Luminaire efficacy	131 - 165 lm/W
Colour temperature	4 000 K, 5 700 K
Colour rendering index (CRI)	70, 80
Lumen maintenance output	100 000 h (L80B10)
Operating temperature	-40°C do +40°C
Beam angles	55°, 94°, 37°/103°
Material	high-pressure die-cast aluminium
Finish	white
Colour	powder coating
Optics	PMMA
Glass	tempered glass
Ingress protection rating	IP67
Impact protection rating	IK09
Weight	7,5 kg
Voltage	230 V
Frequency	50 Hz
Warranty	5 years
Control systems	optional

FAMILY

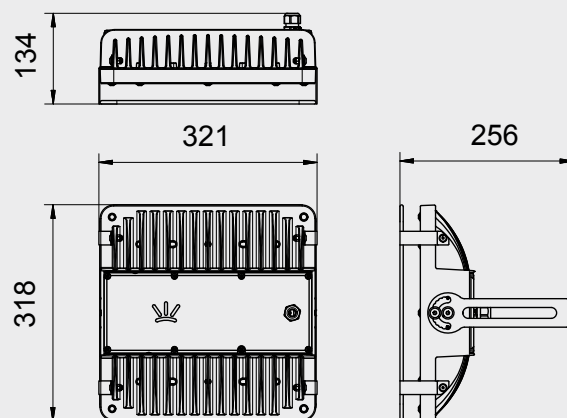
INDEX NO	NAME	POWER	LUMINAIRE LUMINOUS FLUX	LUMINAIRE EFFICACY	RA/CRI
S200500401XXXGXAKEA2	SQUARE SPORT 50 W, 40 LED, CRI 70	50 W	7 100 lm	142 lm/W	70
S200700401XXXGXAKEA2	SQUARE SPORT 70 W, 40 LED, CRI 70	70 W	10 000 lm	143 lm/W	70
S200900401XXXGXAKEA2	SQUARE SPORT 90 W, 40 LED, CRI 70	90 W	12 800 lm	142 lm/W	70
S200900601XXXGXAKEA2	SQUARE SPORT 90 W, 60 LED, CRI 70	90 W	14 400 lm	160 lm/W	70
S201001001XXXGXAKEA2	SQUARE SPORT 100 W, 100 LED, CRI 70	100 W	16 500 lm	165 lm/W	70
S201100601XXXGXAKEA2	SQUARE SPORT 110 W, 60 LED, CRI 70	110 W	17 600 lm	160 lm/W	70
S201300601XXXGXAKEA2	SQUARE SPORT 130 W, 60 LED, CRI 70	130 W	20 800 lm	160 lm/W	70
S201301001XXXGXAKEA2	SQUARE SPORT 130 W, 100 LED, CRI 70	130 W	21 400 lm	165 lm/W	70
S201501001XXXGXAKEA2	SQUARE SPORT 150 W, 100 LED, CRI 70	150 W	24 700 lm	165 lm/W	70
S200500402XXXGXAKEA2	SQUARE SPORT 50 W, 40 LED, CRI 80	50 W	6 600 lm	132 lm/W	80
S200700402XXXGXAKEA2	SQUARE SPORT 70 W, 40 LED, CRI 80	70 W	9 200 lm	131 lm/W	80
S200900402XXXGXAKEA2	SQUARE SPORT 90 W, 40 LED, CRI 80	90 W	11 800 lm	131 lm/W	80
S200900602XXXGXAKEA2	SQUARE SPORT 90 W, 60 LED, CRI 80	90 W	13 300 lm	148 lm/W	80
S201001002XXXGXAKEA2	SQUARE SPORT 100 W, 100 LED, CRI 80	100 W	15 400 lm	154 lm/W	80
S201100602XXXGXAKEA2	SQUARE SPORT 110 W, 60 LED, CRI 80	110 W	16 200 lm	147 lm/W	80
S201300602XXXGXAKEA2	SQUARE SPORT 130 W, 60 LED, CRI 80	130 W	19 200 lm	148 lm/W	80
S201301002XXXGXAKEA2	SQUARE SPORT 130 W, 100 LED, CRI 80	130 W	20 000 lm	154 lm/W	80
S201501002XXXGXAKEA2	SQUARE SPORT 150 W, 100 LED, CRI 80	150 W	23 100 lm	154 lm/W	80

When ordering, please specify the desired beam angle curve and colour temperature.

KEY ADVANTAGES

- luminaire efficacy 165 lm/W
- lifetime up to 100 000 h (L80B10)
- versatile use
- equipped with tempered glass panel
- wide range of power and beam angles
- easy mounting and adjustment
- can be adapted to any control system
- steel grill for additional protection
- modern design and solid workmanship (IP67, IK09)
- made in Poland

DIMENSIONS [MM]



The handle is an accessory, priced separately.

APPLICATION:

- sports facilities
- stadiums
- sports and entertainment halls



LUMI TEAM Sp. z o.o.
Wanaty, Warszawska 2E
42-260 Kamienica Polska
POLSKA

Tel: + 48 34 347 42 80
E-mail: info@lumiteam.eu
www.lumiteam.eu