



2023/2024

Product Catalogue

LED LIGHTING



Reliable lighting

Our luminaires are not only functional products - they are the answer to the challenges our clients face. We know how important lighting is for warehouses, production halls, roads, parking lots, etc. and we understand how vital savings are for companies and municipalities. We achieve excellent luminous parameters thanks to our high-quality components and the right design. We rely on experience and also boldly introduce modern solutions. The quality of our luminaires is unprecedented and our attention to detail is key to the success of our brand. The luminaires we sell are exceptionally efficient and that is why we focus on technological solutions that guarantee the longevity of our products. We are confident in what we create and for that reason our luminaires always come with a long-term warranty. Operating with a focus on precision, we eliminate room for error.

For us, LUMI TEAM is synonymous with reliable lighting.



Selecting the right industrial lighting is a responsible, albeit arduous, task. The outcome of your decision will last for years – and it will translate into costs and the comfort of people who will work and move in the light emitted by the installed luminaires.

We will be proud to support you in this challenge.

Contents

Our mission	2
About Lumi Team	4
Our competitive advantages	5
We are at your service	6

BEETLE II LED HIGH BAY	SQUARE LED HIGH BAY	HIGH BAY LUMINAIRES
9	10	
BEETLE II LED SPORT	SQUARE LED SPORT	8
12	13	
BEETLE II LED EX	SQUARE LED EX	EXPLOSION-PROOF LUMINAIRES
15	16	14
SQUARE LED 24V	LUCA HERMETIC LED 24V	24 V AC SAFE LUMINAIRES
18	29	17
LUCA HERMETIC LED	LUTURE HERMETIC LED	LINEAR & HERMETIC LUMINAIRES
21	22	20

SQUARE PETROL LED	SQUARE PETROL BOX	UNDER CANOPY LUMINAIRES
25	26	24
BEETLE II LED FLOODLIGHT	SQUARE LED FLOODLIGHT	LARGE-AREA FLOODLIGHTS
29	31	28
CITY STREET LED	SQUARE ZEBRA LED	STREET LUMINAIRES
33	36	32
BEETLE II TUNNEL LED	SQUARE TUNNEL LED	TUNNEL LUMINAIRES
38	39	37
MAIA LED DOWNLIGHT	MAIA LED SPOTLIGHT	MAIA LED PROJECTOR
41	42	43
SUFINI LED PANEL	LINEA DECO LED	OFFICE & RETAIL LUMINAIRES
44	45	40



LUMI TEAM headquarters in Wanaty, Częstochowa, Poland

About Lumi Team

In order to be sure of the quality of our products and meet the expectations of even the most demanding customers, luminaires are manufactured fully in-house. At our disposal we have a fully automated high-pressure aluminum foundry, numerically controlled CNC machines, an ecological powder paint shop, semi-automated assembly lines, a quality control laboratory as well as a large warehouse. From design to final quality control - the production process is carried out under the supervision of our experienced specialists. Therefore, when we hand over our luminaires to customers, we guarantee their reliability, safety and efficiency.

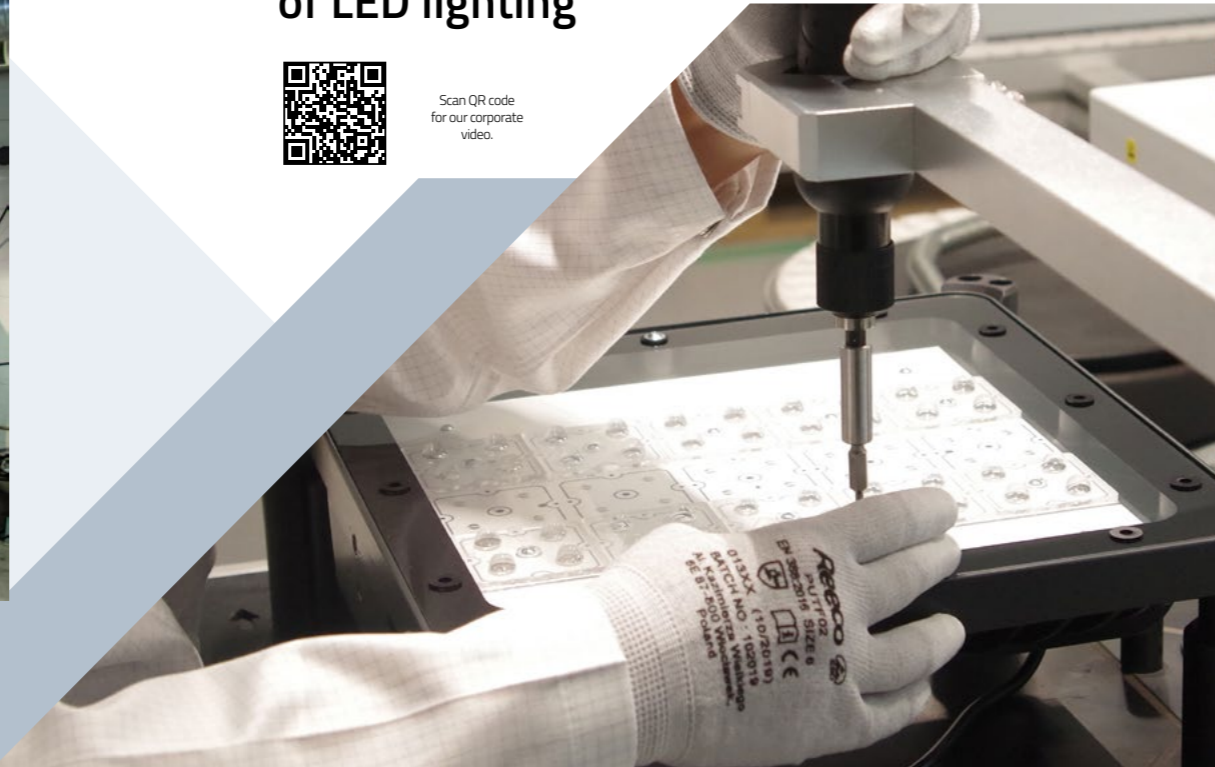
We are a European manufacturer of LED lighting



Scan QR code for our corporate video.



FRECH DAK series die casting machines



Our advantages

In-house manufacturing

Our technological facilities allow for full control over the manufacturing process of our lighting fixtures.

Full service

We accompany our clients at every stage of the project from lighting design to its implementation.

Design flexibility

Non-standard and/or custom made lighting solutions are what we specialize in.

Uncompromising quality

We use top quality components and our luminaires are certified by independent laboratories.

Short lead times

Most orders are completed in just 3 weeks and our warehouse is at our clients disposal free of charge.



Ecological powder paint shop



Automated CNC machining cells



Aluminum die casting mold for the BEETLE LED HIGH BAY luminaire



Semi-automated LED lighting assembly line

WE ARE AT YOUR SERVICE

At every stage of cooperation with us, from the inquiry to the final handshake, we focus on sharing our knowledge and supporting you in choosing the right solution for your needs.



1

Advice service

If you are planning a new site, the first step will be to understand your lighting needs – we will discuss the environment in which the luminaires will operate and what conditions they are expected to create. If you're upgrading your current lighting system, we'll start by analyzing it – we'll determine its effectiveness and determine what savings you can generate by upgrading.

- Recognition of customer needs
- Audit of current lighting
- Consultation with designer
- Savings simulation

2

Lighting design

Once our experts have made their reconnaissance, we will plan the lighting system for you. It will be a tailor-made solution – according to the requirements and needs of the people using it. Our lighting designer will prepare a professional design for you in DIALUX/RELUX, and a dedicated Investment Manager will prepare an attractive quote. You will also receive a simulation that will show you how quickly you will be able to repay your investment from the savings you make on reduced electricity bills after implementing our project.

- Design in Dialux/Relux
- Quote preparation
- Return on investment calculation

3

Lighting control

One additional way for industries or municipalities to reduce electricity consumption and thus lower costs is to use a smart lighting control system. We will prepare the most cost-effective control system for you, and if you decide to implement it, we will assist you in commissioning and programming the system.

- Selection of an appropriate control system
- Personalization of the selected control system
- Implementation, commissioning and programming

4

Investment financing

Save today, here and now, with no cash outlay! We strive to make cooperation with LUMI TEAM also convenient in financial terms. With the lease companies we work with, the investment can be made quickly and without much strain on your company's budget. You may find that with external funding you won't engage your funds at all, as you pay back the investment entirely from the savings you've earned! Talk to our advisor and see what we are able to offer you!

- Cooperation with banking institutions
- Information about grant programs
- Simulation of financial support and savings
- Help in choosing the best lease offer

5

Mounting and installation

You can count on us for the next steps as well. We will help you choose the method of implementation; if you wish, we will take care of the logistical side of the investment, including the organization of transport and contact with installation companies. On request, we can oversee the installation of the purchased luminaires while ensuring compliance with the design and proper installation.

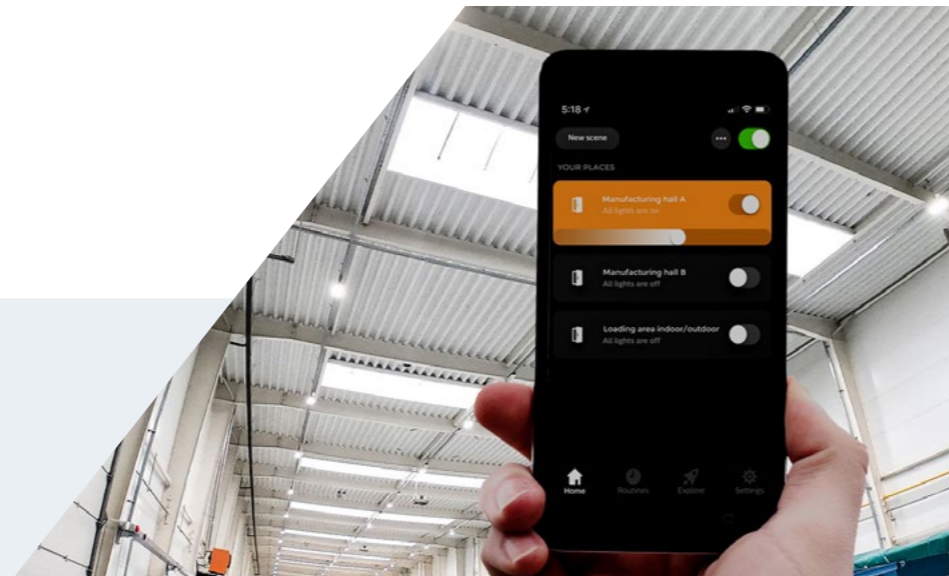
- Investment implementation plan
- Logistical support
- Overseeing of luminaire installation
- Checking consistency of installation with design

6

Warranty

Clear and transparent warranty conditions translate into time savings and no nerves in case of problems. We are confident in our products, so we grant a min. 5-year warranty on the luminaires we sell. For a small surcharge we extend the warranty up to 8 years; just fill out the form available on our website.

- Clear and transparent warranty conditions
- 5-year warranty on everything
- Possibility to extend the warranty



HIGH BAY LUMINAIRES

LED high bay lighting is the solution for indoor spaces with high ceilings or for outdoor spaces where strong and uniform lighting over a large area is required. It is typically used in industrial spaces such as factories and warehouses, but also in sports or commercial premises where the ceiling is more than five metres high or the lamps are installed at great heights. High bay luminaires offer a wide range of options in terms of optics and light distribution angles. This makes it possible to create an ideal and customised lighting solution for almost any industrial or logistics application. The above-average durability of these luminaires and their resistance to harsh weather conditions additionally make high bay lighting one of the most preferred types of professional lighting for both indoor and outdoor applications.

Our bestsellers BEETLE II LED HIGH BAY and SQUARE LED HIGH BAY are the latest generation of LED luminaires that successfully illuminate production facilities, warehouses, sports and exhibition halls, offering high efficiency and wide compatibility with lighting control systems. What they have in common is the maintenance of outstanding performance, the use of modern technological solutions and the highest quality components. All of this translates into savings for the illuminated facility of at least 50% and the comfort of the people who will function in the spaces illuminated by our luminaires for years to come.



Scan QR code for full project details, photos and downloads.

Production hall lighting in iron foundry Fansuld, Poland

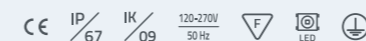


BEETLE II LED HIGH BAY



Scan QR code for full product details, photos and downloads.

HIGH BAY LED FITTING WITH EXCEPTIONAL PARAMETERS AND VERSATILE APPLICATION



BEETLE II LED HIGH BAY is a luminaire ideally suited for production halls, warehouses as well as indoor and outdoor sports facilities. The new version of this best-selling high-bay luminaire has been equipped with tempered glass, which guarantees effective protection of the luminaire in the most challenging conditions. BEETLE II LED HIGH BAY is characterized by high power and high luminous flux but most of all by excellent luminous efficiency, which translates into immediate savings. It is a two-chamber luminaire, in which the LEDs and the power supply are separated by a ribbed space, ensuring optimal air flow between both chambers. This solution guarantees the most efficient cooling of both heat sources of the luminaire and results in long-term operation even at very high ambient temperatures.

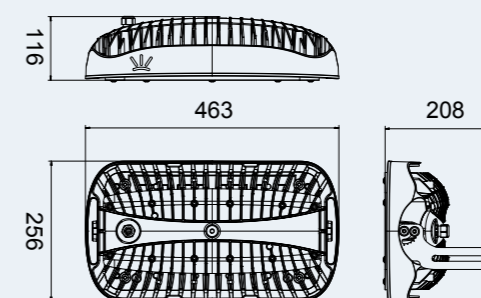
Key advantages

- power up to 250 W
- exceptional luminaire efficacy up to 160 lm/W
- lifetime up to 100 000 h (L80B10)
- resistance to high temperatures (LUMI COOL®)
- versatile use
- a wide range of powers and lighting angles
- three mounting methods (on handle, suspended, single-point)
- easy mounting and adjustment
- tempered glass
- adaptable to any control system
- italian design and solid workmanship (IP67, IK09)
- made in Poland

Application

- production halls
- foundries, steel works, etc.
- warehouses
- logistic centers
- airports and stations
- loading docks
- sports facilities
- buildings and advertisements
- city squares and intersections
- ski slopes

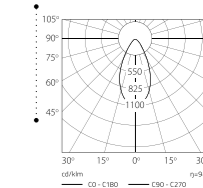
Dimensions [mm]



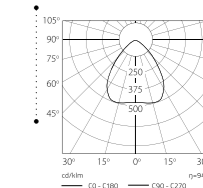
Technical data

Light source	LED
Power consumption	60 - 250 W
Luminaire luminous flux	9 000 - 35 200 lm
Luminaire efficacy	132 - 160 lm/W
Colour temperature	4 000 K, 5 700 K, other on request
Colour rendering index (CRI)	70, 80
Lumen maintenance output	100 000 h (L80B10)
Operating temperature	-40°C do +55°C
Beam angles	20°, 30°, 60°, 90°, asymmetric
Material	high-pressure die-cast aluminium
Finish	powder coating
Colour	anthracite; other on request
Optics	PMMA
Glass	tempered glass
Ingress protection rating	IP67
Impact protection rating	IK09
Weight	9 kg
Voltage	230 V
Frequency	50 Hz
Warranty	5 years
Control systems	optional

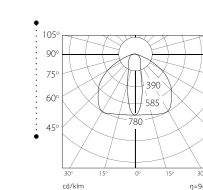
Optic beam angles



60°



90°



ASYMMETRIC

Full selection of optic beam angles available on the website www.lumiteam.eu

Family

INDEX NO	NAME	POWER	LUMINAIRE LUMINOUS FLUX	LUMINAIRE EFFICACY	RA/CRI	MAX OPERATING TEMPERATURE
S500601921XXXXAKEA1	BEETLE II HB 60 W, 192 LED, CRI 70	60 W	9 600 lm	160 lm/W	70	55°C
S501001921XXXXAKEA1	BEETLE II HB 100 W, 192 LED, CRI 70	100 W	15 600 lm	156 lm/W	70	55°C
S501301921XXXXAKEA1	BEETLE II HB 130 W, 192 LED, CRI 70	130 W	19 600 lm	151 lm/W	70	55°C
S501501921XXXXAKEA1	BEETLE II HB 150 W, 192 LED, CRI 70	150 W	21 600 lm	144 lm/W	70	55°C
S502002881XXXXAKEA1	BEETLE II HB 200 W, 288 LED, CRI 70	200 W	30 200 lm	151 lm/W	70	45°C
S502502881XXXXAKEA1	BEETLE II HB 250 W, 288 LED, CRI 70	250 W	35 200 lm	141 lm/W	70	45°C
S500601922XXXXAKEA1	BEETLE II HB 60 W, 192 LED, CRI 80	60 W	9 000 lm	150 lm/W	80	55°C
S501001922XXXXAKEA1	BEETLE II HB 100 W, 192 LED, CRI 80	100 W	14 600 lm	146 lm/W	80	55°C
S501301922XXXXAKEA1	BEETLE II HB 130 W, 192 LED, CRI 80	130 W	18 300 lm	141 lm/W	80	55°C
S501501922XXXXAKEA1	BEETLE II HB 150 W, 192 LED, CRI 80	150 W	20 200 lm	135 lm/W	80	55°C
S502002882XXXXAKEA1	BEETLE II HB 200 W, 288 LED, CRI 80	200 W	28 200 lm	141 lm/W	80	45°C
S502502882XXXXAKEA1	BEETLE II HB 250 W, 288 LED, CRI 80	250 W	33 000 lm	132 lm/W	80	45°C

When ordering, please specify the desired beam angle curve and colour temperature.

Luminous flux tolerance +/- 10%. Power consumption tolerance depends on the power level - less than 100 W or equal to 100 W power consumption tolerance is 5%, over 100 W - 2.5%. The luminous flux, light intensity distribution and light efficiency were tested according to PN-EN 13032-4:2015-09 and PN-EN 60598-1:2015-04 at an ambient temperature of 25°C. Accessories for installation are quoted separately by the manufacturer.

SQUARE LED HIGH BAY



Scan QR code for full product details, photos and downloads.



HIGH BAY LED FITTING WITH GREAT PARAMETERS AND VERSATILE APPLICATION



The main advantage of SQUARE LED HIGH BAY is its versatility and flexibility of application. It is suitable for both interior and exterior and can be mounted in many different ways – suspended on lines, attached to a handle, built into ceiling panels. Equipped with a tempered glass pane with silicone seal, it effectively protects the light source from oil mist and other dirt. Because of its high efficiency (up to 165 lm/W) and a high-rated seal (IP67), it works great as a floodlight not only in production and warehouse halls or sports facilities, but also for parking lots, building facades, monuments and other architectural objects. A large selection of power and optic type allows us to precisely select the right lighting for our customers, making this compact LED luminaire an instant hit.

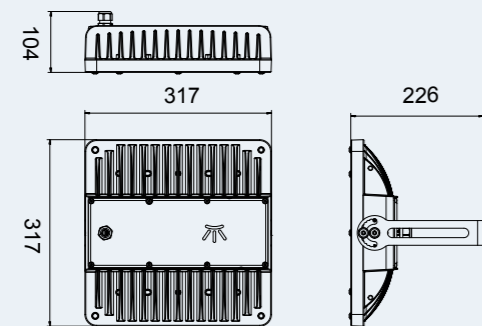
Key advantages

- luminaire efficacy 165 lm/W
- lifetime up to 100,000 h (L80B10)
- equipped with tempered glass panel
- wide range of power and beam angles
- easy mounting and adjustment
- versatile use
- possibility of mounting in ceiling panels
- can be adapted to any control system
- modern design and solid workmanship (IP67, IK09)
- made in Poland

Application

- production halls
- foundries, steelworks, etc.
- warehouses
- logistics centres
- airports and stations
- indoor and outdoor sports facilities
- gas stations
- building facades
- city squares and intersections

Dimensions [mm]



Technical data

Light source	LED	Glass	tempered glass
Power consumption	50 - 150 W	Ingress protection rating	IP67
Luminaire luminous flux	6 600 - 24 700 lm	Impact protection rating	IK09
Luminaire efficacy	131 - 165 lm/W	Weight	7 kg
Colour temperature	4 000 K, 5 700 K	Voltage	230 V
Colour rendering index (CRI)	70, 80	Frequency	50 Hz
Lumen maintenance output	100 000 h (L80B10)	Warranty	5 years
Operating temperature	-40°C do +40°C	Control systems	optional
Beam angles	55°, 94°, 37°/103°		
Material	high-pressure die-cast aluminium		
Finish	powder coating		
Colour	anthracite; other colours on request		
Optics	PMMA		

Selection of optic beam angles is available on our website, please scan QR code for direct access.

Family

INDEX NO	NAME	POWER	LUMINAIRE LUMINOUS FLUX	LUMINAIRE EFFICACY	RA/CRI
S200500401XXXXAKEA1	SQUARE HB 50 W, 40 LED, CRI 70	50 W	7 100 lm	142 lm/W	70
S200700401XXXXAKEA1	SQUARE HB 70 W, 40 LED, CRI 70	70 W	10 000 lm	143 lm/W	70
S200900401XXXXAKEA1	SQUARE HB 90 W, 40 LED, CRI 70	90 W	12 800 lm	142 lm/W	70
S200900601XXXXAKEA1	SQUARE HB 90 W, 60 LED, CRI 70	90 W	14 400 lm	160 lm/W	70
S201001001XXXXAKEA1	SQUARE HB 100 W, 100 LED, CRI 70	100 W	16 500 lm	165 lm/W	70
S201100601XXXXAKEA1	SQUARE HB 110 W, 60 LED, CRI 70	110 W	17 600 lm	160 lm/W	70
S201300601XXXXAKEA1	SQUARE HB 130 W, 60 LED, CRI 70	130 W	20 800 lm	160 lm/W	70
S201301001XXXXAKEA1	SQUARE HB 130 W, 100 LED, CRI 70	130 W	21 400 lm	165 lm/W	70
S201501001XXXXAKEA1	SQUARE HB 150 W, 100 LED, CRI 70	150 W	24 700 lm	165 lm/W	70
S200500402XXXXAKEA1	SQUARE HB 50 W, 40 LED, CRI 80	50 W	6 600 lm	132 lm/W	80
S200700402XXXXAKEA1	SQUARE HB 70 W, 40 LED, CRI 80	70 W	9 200 lm	131 lm/W	80
S200900402XXXXAKEA1	SQUARE HB 90 W, 40 LED, CRI 80	90 W	11 800 lm	131 lm/W	80
S200900602XXXXAKEA1	SQUARE HB 90 W, 60 LED, CRI 80	90 W	13 300 lm	148 lm/W	80
S201001002XXXXAKEA1	SQUARE HB 100 W, 100 LED, CRI 80	100 W	15 400 lm	154 lm/W	80
S201100602XXXXAKEA1	SQUARE HB 110 W, 60 LED, CRI 80	110 W	16 200 lm	147 lm/W	80
S201300602XXXXAKEA1	SQUARE HB 130 W, 60 LED, CRI 80	130 W	19 200 lm	148 lm/W	80
S201301002XXXXAKEA1	SQUARE HB 130 W, 100 LED, CRI 80	130 W	20 000 lm	154 lm/W	80
S201501002XXXXAKEA1	SQUARE HB 150 W, 100 LED, CRI 80	150 W	23 100 lm	154 lm/W	80

When ordering, please specify the desired beam angle curve and colour temperature.

Luminous flux tolerance +/- 10%. Power consumption tolerance depends on the power level - less than 100 W or equal to 100 W power consumption tolerance is 5%, over 100 W - 2.5%. The luminous flux, light intensity distribution and light efficiency were tested according to PN-EN 13032-4: 2015-09 and PN-EN 60598-1: 2015-04 at an ambient temperature of 25°C. Accessories for installation are quoted separately by the manufacturer.



Production hall lighting in iron foundry Fansuld, Poland



Scan QR code for full project details, photos and downloads.

BEETLE II SPORT LED



Scan QR code for full product details, photos and downloads.

HIGH BAY LED LUMINAIRE FOR SPORT FACILITIES



BEETLE II SPORT LED is a high bay luminaire designed for sport facilities. It is characterized by high power and high luminous flux but most of all by excellent luminous efficiency, which translates into immediate savings. The luminaire is equipped with tempered glass, which guarantees effective protection even in most difficult conditions, as well as a vandal-resistant grille made of steel for additional shielding against mechanical damage. Moreover BEETLE II SPORT LED is a two-chamber luminaire, in which the LEDs and the power supply are separated by a ribbed space, ensuring optimal air flow between both chambers. This solution guarantees most efficient cooling of both heat sources of the luminaire and results in its long-term operation.



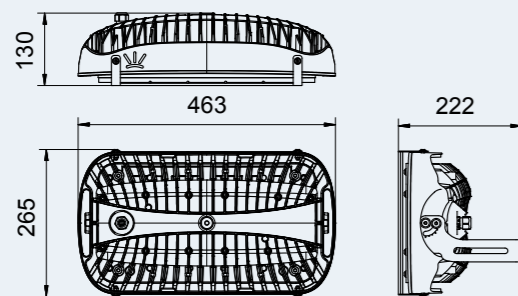
Key advantages

- power up to 250 W
- exceptional luminaire efficacy up to 160 lm/W
- lifetime up to 100 000 h (L80B10)
- exceptional luminous efficacy of up to 160 lm/W
- resistance to high temperatures (LUMI COOL®)
- a wide range of powers and lighting angles
- steel grill for additional protection
- tempered glass
- three mounting methods (on handle, suspended, single-point)
- setting (adjustable handle)
- versatile use
- adaptable to any control system
- italian design and solid workmanship (IP67, IK09)
- made in Poland

Application

- sports facilities
- stadiums
- sports and entertainment halls

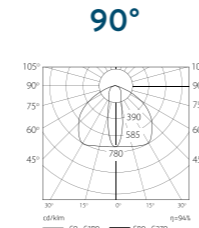
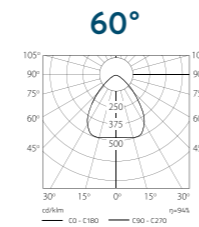
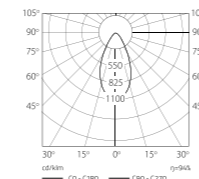
Dimensions [mm]



Technical data

Light source	LED
Power consumption	60 - 250 W
Luminaire luminous flux	9 000 - 35 200 lm
Luminaire efficacy	132 - 160 lm/W
Colour temperature	4 000 K, 5 700 K, other on request
Colour rendering index (CRI)	70, 80
Lumen maintenance output	100 000 h (L80B10)
Operating temperature	-40°C do +55°C
Beam angles	20°, 30°, 60°, 90°, asymmetric
Material	high-pressure die-cast aluminium
Finish	powder coating
Colour	white; other colours on request
Optics	PMMA
Glass	tempered glass
Ingress protection rating	IP67
Impact protection rating	IK09
Weight	9,5 kg
Voltage	230 V
Frequency	50 Hz
Warranty	5 years
Control systems	optional

Optic beam angles



ASYMMETRIC

Full selection of optic beam angles available on the website www.lumiteam.eu

Family

INDEX NO	NAME	POWER	LUMINAIRE LUMINOUS FLUX	LUMINAIRE EFFICACY	RA/CRI	MAX OPERATING TEMPERATURE
S500601921XXXGXAKEA2	BEETLE II SPORT 60 W, 192 LED, CRI 70	60 W	9 600 lm	160 lm/W	70	55°C
S501001921XXXGXAKEA2	BEETLE II SPORT 100 W, 192 LED, CRI 70	100 W	15 600 lm	156 lm/W	70	55°C
S501301921XXXGXAKEA2	BEETLE II SPORT 130 W, 192 LED, CRI 70	130 W	19 600 lm	151 lm/W	70	55°C
S501501921XXXGXAKEA2	BEETLE II SPORT 150 W, 192 LED, CRI 70	150 W	21 600 lm	144 lm/W	70	55°C
S502002881XXXGXAKEA2	BEETLE II SPORT 200 W, 288 LED, CRI 70	200 W	30 200 lm	151 lm/W	70	45°C
S502502881XXXGXAKEA2	BEETLE II SPORT 250 W, 288 LED, CRI 70	250 W	35 300 lm	141 lm/W	70	45°C
S500601922XXXGXAKEA2	BEETLE II SPORT 60 W, 192 LED, CRI 80	60 W	9 000 lm	150 lm/W	80	55°C
S501001922XXXGXAKEA2	BEETLE II SPORT 100 W, 192 LED, CRI 80	100 W	14 600 lm	146 lm/W	80	55°C
S501301922XXXGXAKEA2	BEETLE II SPORT 130 W, 192 LED, CRI 80	130 W	18 300 lm	141 lm/W	80	55°C
S501501922XXXGXAKEA2	BEETLE II SPORT 150 W, 192 LED, CRI 80	150 W	20 200 lm	135 lm/W	80	55°C
S502002882XXXGXAKEA2	BEETLE II SPORT 200 W, 288 LED, CRI 80	200 W	28 200 lm	141 lm/W	80	45°C
S502502882XXXGXAKEA2	BEETLE II SPORT 250 W, 288 LED, CRI 80	250 W	33 000 lm	132 lm/W	80	45°C

When ordering, please specify the desired beam angle curve and colour temperature.

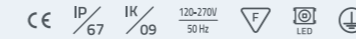
Luminous flux tolerance +/- 10%. Power consumption tolerance depends on the power level - less than 100 W or equal to 100 W power consumption tolerance is 5%, over 100 W - 2.5%. The luminous flux, light intensity distribution and light efficiency were tested according to PN-EN 13032-4: 2015-09 and PN-EN 60598-1: 2015-04 at an ambient temperature of 25°C. Accessories for installation are quoted separately by the manufacturer.

SQUARE SPORT LED



Scan QR code for full product details, photos and downloads.

HIGH BAY LED LUMINAIRE FOR SPORT FACILITIES



SQUARE SPORT LED is a high bay luminaire luminaire designed for sport facilities. It is characterized by high power and high luminous flux but most of all by excellent luminous efficiency, which translates into immediate savings. The luminaire is equipped with tempered glass, which guarantees effective protection even in most difficult conditions, as well as a vandal-resistant grille made of steel for additional shielding against mechanical damage. A large selection of power and optic type allows us to precisely select the right lighting for our customers, making this compact LED luminaire an instant hit.

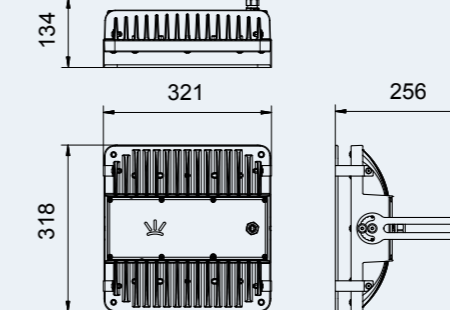
Key advantages

- luminaire efficacy 165 lm/W
- lifetime up to 100 000 h (L80B10)
- versatile use
- equipped with tempered glass panel
- wide range of power and beam angles
- easy mounting and adjustment
- can be adapted to any control system
- steel grill for additional protection
- modern design and solid workmanship (IP67, IK09)
- made in Poland

Application

- sports facilities
- stadiums
- sports and entertainment halls

Dimensions [mm]



Technical data

Light source	LED	Glass	tempered glass
Power consumption	50 - 150 W	Ingress protection rating	IP67
Luminaire luminous flux	6 600 - 24 700 lm	Impact protection rating	IK09
Luminaire efficacy	131 - 165 lm/W	Weight	7,5 kg
Colour temperature	4 000 K, 5 700 K	Voltage	230 V
Colour rendering index (CRI)	70, 80	Frequency	50 Hz
Lumen maintenance output	100 000 h (L80B10)	Warranty	5 years
Operating temperature	-40°C do +40°C	Control systems	optional
Beam angles	55°, 94°, 37°/103°		
Material	high-pressure die-cast aluminium		
Colour	white		
Finish	powder coating		
Optics	PMMA		

Family

INDEX NO	NAME	POWER	LUMINAIRE LUMINOUS FLUX	LUMINAIRE EFFICACY	RA/CRI
S200500401XXXGXAKEA2	SQUARE SPORT 50 W, 40 LED, CRI 70	50 W	7 100 lm	142 lm/W	70
S200700401XXXGXAKEA2	SQUARE SPORT 70 W, 40 LED, CRI 70	70 W	10 000 lm	143 lm/W	70
S200900401XXXGXAKEA2	SQUARE SPORT 90 W, 40 LED, CRI 70	90 W	12 800 lm	142 lm/W	70
S200900601XXXGXAKEA2	SQUARE SPORT 90 W, 60 LED, CRI 70	90 W	14 400 lm	160 lm/W	70
S201001001XXXGXAKEA2	SQUARE SPORT 100 W, 100 LED, CRI 70	100 W	16 500 lm	165 lm/W	70
S201100601XXXGXAKEA2	SQUARE SPORT 110 W, 60 LED, CRI 70	110 W	17 600 lm	160 lm/W	70
S201300601XXXGXAKEA2	SQUARE SPORT 130 W, 60 LED, CRI 70	130 W	20 800 lm	160 lm/W	70
S201301001XXXGXAKEA2	SQUARE SPORT 130 W, 100 LED, CRI 70	130 W	21 400 lm	165 lm/W	70
S201501001XXXGXAKEA2	SQUARE SPORT 150 W, 100 LED, CRI 70	150 W	24 700 lm	165 lm/W	70
S200500402XXXGXAKEA2	SQUARE SPORT 50 W, 40 LED, CRI 80	50 W	6 600 lm	132 lm/W	80
S200700402XXXGXAKEA2	SQUARE SPORT 70 W, 40 LED, CRI 80	70 W	9 200 lm	131 lm/W	80
S200900402XXXGXAKEA2	SQUARE SPORT 90 W, 40 LED, CRI 80	90 W	11 800 lm	131 lm/W	80
S200900602XXXGXAKEA2	SQUARE SPORT 90 W, 60 LED, CRI 80	90 W	13 300 lm	148 lm/W	80
S201001002XXXGXAKEA2	SQUARE SPORT 100 W, 100 LED, CRI 80	100 W	15 400 lm	154 lm/W	80
S201100602XXXGXAKEA2	SQUARE SPORT 110 W, 60 LED, CRI 80	110 W	16 200 lm	147 lm/W	80
S201300602XXXGXAKEA2	SQUARE SPORT 130 W, 60 LED, CRI 80	130 W	19 200 lm	148 lm/W	80
S201301002XXXGXAKEA2	SQUARE SPORT 130 W, 100 LED, CRI 80	130 W	20 000 lm	154 lm/W	80
S201501002XXXGXAKEA2	SQUARE SPORT 150 W, 100 LED, CRI 80	150 W	23 100 lm	154 lm/W	80

When ordering, please specify the desired beam angle curve and colour temperature.

Luminous flux tolerance +/- 10%. Power consumption tolerance depends on the power level - less than 100 W or equal to 100 W power consumption tolerance is 5%, over 100 W - 2.5%. The luminous flux, light intensity distribution and light efficiency were tested according to PN-EN 13032-4: 2015-09 and PN-EN 60598-1: 2015-04 at an ambient temperature of 25°C. Accessories for installation are quoted separately by the manufacturer.

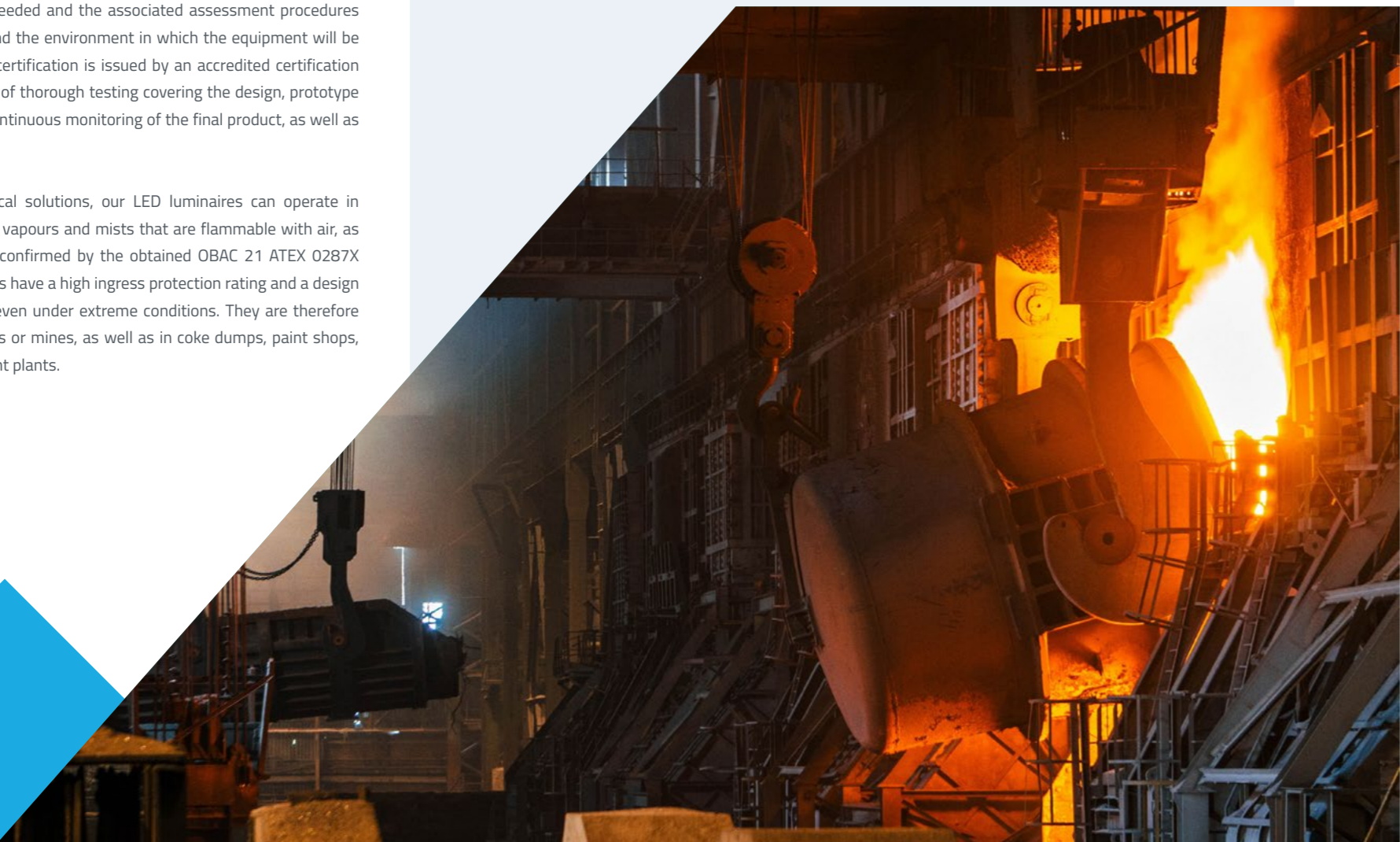
EXPLOSION-PROOF LUMINAIRES



Explosion zone luminaires, marked EX, are a specialised type of lighting designed for use in explosive atmospheres. According to the European Parliament's ATEX Directive 2014/34/EU, all products intended to work in this type of space must comply with strict safety and health requirements. The level of safeguards needed and the associated assessment procedures depend directly on the level of hazard and the environment in which the equipment will be expected to operate. Accordingly, ATEX certification is issued by an accredited certification body as confirmation of a positive result of thorough testing covering the design, prototype and production process, together with continuous monitoring of the final product, as well as periodic audits of the production facility.

Thanks to the use of advanced technical solutions, our LED luminaires can operate in zones 2,22 at risk of explosion of gases, vapours and mists that are flammable with air, as well as dusts and flammable fibres, as confirmed by the obtained OBAC 21 ATEX 0287X certificate. Our explosion-proof luminaires have a high ingress protection rating and a design that ensures excellent heat dissipation even under extreme conditions. They are therefore successfully used in foundries, steel mills or mines, as well as in coke dumps, paint shops, petrochemical plants or sewage treatment plants.

- II 3G Ex ec IIC T5 Gc (Square LED EX)
- II 3G Ex ec IIC T4 Gc (Beetle II LED EX)
- II 3D Ex tc IIIC T85°C Dc (Square LED EX & Beetle II LED EX)



BEETLE II LED EX

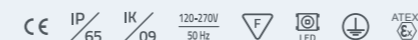


Scan QR code for full product details, photos and downloads.

INDUSTRIAL LED LUMINAIRE DESIGNED FOR EXPLOSION HAZARD ZONES



BEETLE II LED is an explosion proof EX LED light fittings for use industrial premises and open spaces with an explosion hazard. Designed to work in zones 2,22 of explosion hazard of gases, vapours and mist of flammable liquids with air and inflammable dust and fibres, the luminaire is OBAC 21 ATEX 0287X certified. It is characterized by high protection grade and design that makes it capable for use in the most extreme conditions. BEETLE II LED is characterized by high power and high luminous flux. Fitted with a tempered glass pane with a silicone gasket, the luminaire effectively protects the light source from harmful conditions and other contaminants. Thanks to its double-chamber design, BEETLE II LED dissipates heat very well even at very high ambient temperatures.



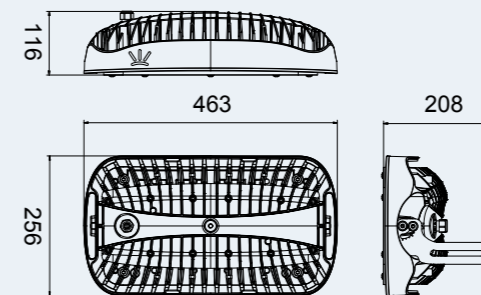
Key advantages

- intended for use in zones 2,22
- OBAC 21 ATEX 0287X certificate
- power up to 250 W
- tempered glass
- exceptional luminous efficacy of up to 160 lm/W
- service life up to 100 000 h (L80B10)
- versatile use
- three mounting methods (on handle, suspended, single-point)
- can be adapted to any control system
- high temperature resistance (LUMI COOL®)
- a wide range of powers and lighting angles
- italian design and solid workmanship (IP67, IK09)
- made in Poland

Application

- explosive atmospheres
- open spaces with the danger of explosion of gases, liquids and their vapours, as well as combustible dusts
- steel mills
- industrial facilities
- refineries
- drilling platforms
- chemical plants
- chemical warehouses

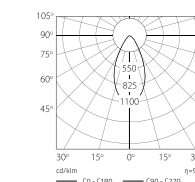
Dimensions [mm]



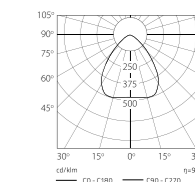
Technical data

Light source	LED
Power consumption	60 - 250 W
Luminaire luminous flux	9 000 - 35 200 lm
Luminaire efficacy	132 - 160 lm/W
Colour temperature	4 000 K, 5 700 K, other on request
Colour rendering index (CRI)	70, 80
Lumen maintenance output	100 000 h (L80B10)
Operating temperature	-40°C do +45°C
Beam angles	20°, 30°, 60°, 90°, asymmetric
Material	high-pressure die-cast aluminium
Finish	powder coating
Colour	anthracite; other colours on request
Optics	PMMA
Glass	tempered glass
Ingress protection rating	IP65
Impact protection rating	IK09
Weight	9 kg
Voltage	230 V
Frequency	50 Hz
Warranty	5 years
Control systems	optional

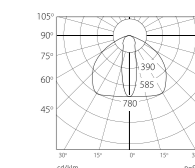
Optic beam angles



60°



90°



ASYMMETRIC

Full selection of optic beam angles available on the website www.lumiteam.eu

Family

INDEX NO	NAME	POWER	LUMINAIRE LUMINOUS FLUX	LUMINAIRE EFFICACY	RA/CRI	MAX OPERATING TEMPERATURE
S5E0601921XXXXAIEA1	BEETLE II EX 60 W, 192 LED, CRI 70	60 W	9 600 lm	160 lm/W	70	45°C
S5E1001921XXXXAIEA1	BEETLE II EX 100 W, 192 LED, CRI 70	100 W	15 600 lm	156 lm/W	70	45°C
S5E1301921XXXXAIEA1	BEETLE II EX 130 W, 192 LED, CRI 70	130 W	19 600 lm	151 lm/W	70	45°C
S5E1501921XXXXAIEA1	BEETLE II EX 150 W, 192 LED, CRI 70	150 W	21 600 lm	144 lm/W	70	45°C
S5E2002881XXXXAIEA1	BEETLE II EX 200 W, 288 LED, CRI 70	200 W	30 200 lm	151 lm/W	70	45°C
S5E2502881XXXXAIEA1	BEETLE II EX 250 W, 288 LED, CRI 70	250 W	35 200 lm	141 lm/W	70	45°C
S5E0601922XXXXAIEA1	BEETLE II EX 60 W, 192 LED, CRI 80	60 W	9 000 lm	150 lm/W	80	45°C
S5E1001922XXXXAIEA1	BEETLE II EX 100 W, 192 LED, CRI 80	100 W	14 600 lm	146 lm/W	80	45°C
S5E1301922XXXXAIEA1	BEETLE II EX 130 W, 192 LED, CRI 80	130 W	18 300 lm	141 lm/W	80	45°C
S5E1501922XXXXAIEA1	BEETLE II EX 150 W, 192 LED, CRI 80	150 W	20 200 lm	135 lm/W	80	45°C
S5E2002882XXXXAIEA1	BEETLE II EX 200 W, 288 LED, CRI 80	200 W	28 200 lm	141 lm/W	80	45°C
S5E2502882XXXXAIEA1	BEETLE II EX 250 W, 288 LED, CRI 80	250 W	33 000 lm	132 lm/W	80	45°C

When ordering, please specify the desired beam angle curve and colour temperature. Luminous flux tolerance +/- 10%. Power consumption tolerance depends on the power level - less than 100 W or equal to 100 W power consumption tolerance is 5%, over 100 W - 2.5%. The luminous flux, light intensity distribution and light efficiency were tested according to PN-EN 13032-4: 2015-09 and PN-EN 60598-1: 2015-04 at an ambient temperature of 25°C. Accessories for installation are quoted separately by the manufacturer.

SQUARE LED EX

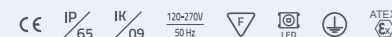


Scan QR code for full product details, photos and downloads.

INDUSTRIAL LED LUMINAIRE DESIGNED FOR EXPLOSIVE AREAS



SQUARE LED is an explosion proof EX LED light fittings for use industrial premises and open spaces with an explosion hazard. Designed to work in Zones 2,22 of explosion hazard of gases, vapours and mist of flammable liquids with air and inflammable dust and fibres, the luminaire is OBAC 21 ATEX 0287X certified. It is characterized by high protection grade and a design that makes it capable for use in the most extreme conditions. Fitted with a tempered glass pane with a silicone gasket, the luminaire effectively protects the light source from harmful conditions and other contaminants. The large selection of power and types of optics allows for ideal adjustment of lighting to customer needs.



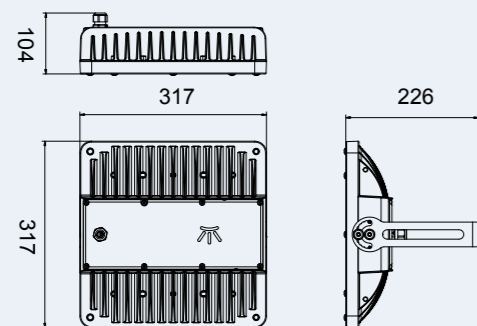
Key advantages

- designed to work in zones 2,22 ▪ OBAC 21 ATEX 0287X certificate ▪ versatile use
- luminaire efficacy up to 165 lm/W ▪ service life up to 100 000 h (L80B10)
- possibility of mounting in ceiling panels ▪ equipped with tempered glass panel
- three mounting methods (on handle, suspended, single-point) ▪ wide range of power and beam
- easy mounting and adjustment ▪ made in Poland ▪ can be adapted to any control system
- modern design and solid workmanship (IP67, IK09)

Application

- potentially explosive zones
- open spaces with the risk of explosion of gases, liquids and their vapors, as well as flammable dusts
- steel mills
- industrial facilities
- refineries
- drilling platforms
- chemical plants
- chemical warehouses

Dimensions [mm]



Technical data

Light source	LED	Glass	tempered glass
Power consumption	50 - 150 W	Ingress protection rating	IP65
Luminaire luminous flux	6 600 - 24 700 lm	Impact protection rating	IK09
Luminaire efficacy	142 - 165 lm/W	Weight	7 kg
Colour temperature	4 000 K, 5 700 K	Voltage	230 V
Colour rendering index (CRI)	70, 80	Frequency	50 Hz
Lumen maintenance output	100 000 h (L80B10)	Warranty	5 years
Operating temperature	-40°C do +40°C	Control systems	optional
Beam angles	55°, 94°, 37°/103°		
Material	high-pressure die-cast aluminium		
Finish	powder coating		
Colour	anthracite; other colours on request		
Optics	PMMA		

Family

INDEX NO	NAME	POWER	LUMINAIRE LUMINOUS FLUX	LUMINAIRE EFFICACY	RA/CRI
S2E0500401XXXXAIEA1	SQUARE EX 50 W, 40 LED, CRI 70	50 W	7 100 lm	142 lm/W	70
S2E0700401XXXXAIEA1	SQUARE EX 70 W, 40 LED, CRI 70	70 W	10 000 lm	143 lm/W	70
S2E0900401XXXXAIEA1	SQUARE EX 90 W, 40 LED, CRI 70	90 W	12 800 lm	142 lm/W	70
S2E0900601XXXXAIEA1	SQUARE EX 90 W, 60 LED, CRI 70	90 W	14 400 lm	160 lm/W	70
S2E1001001XXXXAIEA1	SQUARE EX 100 W, 100 LED, CRI 70	100 W	16 500 lm	165 lm/W	70
S2E1100601XXXXAIEA1	SQUARE EX 110 W, 60 LED, CRI 70	110 W	17 600 lm	160 lm/W	70
S2E1300601XXXXAIEA1	SQUARE EX 130 W, 60 LED, CRI 70	130 W	20 800 lm	160 lm/W	70
S2E1301001XXXXAIEA1	SQUARE EX 130 W, 100 LED, CRI 70	130 W	21 400 lm	165 lm/W	70
S2E1501001XXXXAIEA1	SQUARE EX 150 W, 100 LED, CRI 70	150 W	24 700 lm	165 lm/W	70
S2E0500402XXXXAIEA1	SQUARE EX 50 W, 40 LED, CRI 80	50 W	6 600 lm	132 lm/W	80
S2E0700402XXXXAIEA1	SQUARE EX 70 W, 40 LED, CRI 80	70 W	9 200 lm	131 lm/W	80
S2E0900402XXXXAIEA1	SQUARE EX 90 W, 40 LED, CRI 80	90 W	11 800 lm	131 lm/W	80
S2E0900602XXXXAIEA1	SQUARE EX 90 W, 60 LED, CRI 80	90 W	13 300 lm	148 lm/W	80
S2E1001002XXXXAIEA1	SQUARE EX 100 W, 100 LED, CRI 80	100 W	15 400 lm	154 lm/W	80
S2E1100602XXXXAIEA1	SQUARE EX 110 W, 60 LED, CRI 80	110 W	16 200 lm	147 lm/W	80
S2E1300602XXXXAIEA1	SQUARE EX 130 W, 60 LED, CRI 80	130 W	19 200 lm	148 lm/W	80
S2E1301002XXXXAIEA1	SQUARE EX 130 W, 100 LED, CRI 80	130 W	20 000 lm	154 lm/W	80
S2E1501002XXXXAIEA1	SQUARE EX 150 W, 100 LED, CRI 80	150 W	23 100 lm	154 lm/W	80

When ordering, please specify the desired beam angle curve and colour temperature.

Luminous flux tolerance +/- 10%. Power consumption tolerance depends on the power level - less than 100 W or equal to 100 W power consumption tolerance is 5%, over 100 W - 2.5%. The luminous flux, light intensity distribution and light efficiency were tested according to PN-EN 13032-4:2015-09 and PN-EN 60598-1:2015-04 at an ambient temperature of 25°C. Accessories for installation are quoted separately by the manufacturer.

24 V AC SAFE LUMINAIRES



24 V voltage is referred to as „safe voltage“, because even with prolonged contact between the circuit and the human body, it is not a real threat to human life or health. Guaranteeing the safety of lighting in conditions with increased humidity and exposure to electrical shocks means providing certainty and peace of mind, not only during installation, but above all in subsequent use.

High-moisture facilities such as inspection and service ducts are places that require a high light flux, particularly due to their unusual location. The limited availability of external lighting makes it necessary to use an additional light source in practically every situation during ongoing mechanical work. Our 24 V AC safety-voltage luminaires are characterised by high performance and above-average durability, making them ideal for demanding environments. The SQUARE and LUCA 24 V LED fittings are the right choice where lamps are needed to meet the highest safety requirements for efficient and trouble-free operation in harsh industrial environments.



SQUARE LED 24 V



Scan QR code for full product details, photos and downloads.

INDUSTRIAL LED LUMINAIRE POWERED BY SAFE VOLTAGE 24V AC



24V

SQUARE LED 24 V is an industrial luminaire specifically designed to work in places with high humidity at risk of electric shock, requiring „safe voltage“ 24 V AC. It is suitable for both interior and exterior and can be mounted in many different ways – suspended on lines, attached to a handle, built into ceiling panels. Equipped with a tempered glass pane with silicone seal, it effectively protects the light source from oil mist and other dirt. Because of its high efficiency and a high-rated seal, it works great as a floodlight in sewage treatment plants or inspection and service ducts. SQUARE LED 24 V has been designed with safety at the forefront.



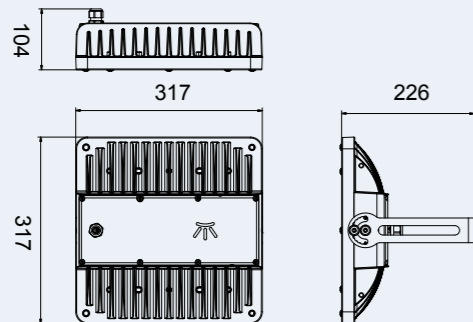
Key advantages

- safe voltage 24 V
- luminaire efficacy up to 148 lm/W
- lifetime up to 100,000 h (L80B10)
- versatile use
- equipped with tempered glass panel
- wide range of power and beam angles
- can be adapted to any control system
- modern design and solid workmanship (IP67, IK09)
- possibility of mounting in ceiling panels
- easy mounting and adjustment
- made in Poland

Application

- places with high humidity, risk of electric shock
- wastewater treatment stations
- inspection and service channels

Dimensions [mm]



Technical data

Light source	LED	Glass	tempered glass
Power consumption	50 - 150 W	Ingress protection rating	IP67
Luminaire luminous flux	5 900 - 22 200 lm	Impact protection rating	IK09
Luminaire efficacy	118 - 148 lm/W	Weight	7 kg
Colour temperature	4 000 K, 5 700 K	Voltage	24 V
Colour rendering index (CRI)	70, 80	Warranty	5 years
Lumen maintenance output	100 000 h (L80B10)	Control systems	optional
Operating temperature	-40 °C do +40 °C		
Beam angles	55°, 94°, 110°, 37°/103°		
Material	high-pressure die-cast aluminium		
Colour	anthracite; other colours on request		
Finish	powder coating		
Optics	PMMA		

Family

INDEX NO	NAME	POWER	LUMINAIRE LUMINOUS FLUX	LUMINAIRE EFFICACY	RA/CRI
S2V0500401XXXXXAKEC1	SQUARE 24 V 50 W, 40 LED, CRI 70	50 W	6 400 lm	128 lm/W	70
S2V0700401XXXXXAKEC1	SQUARE 24 V 70 W, 40 LED, CRI 70	70 W	9 000 lm	129 lm/W	70
S2V0900401XXXXXAKEC1	SQUARE 24 V 90 W, 40 LED, CRI 70	90 W	11 500 lm	128 lm/W	70
S2V0900601XXXXXAKEC1	SQUARE 24 V 90 W, 60 LED, CRI 70	90 W	12 900 lm	143 lm/W	70
S2V1100601XXXXXAKEC1	SQUARE 24 V 110 W, 60 LED, CRI 70	100 W	15 800 lm	144 lm/W	70
S2V1300601XXXXXAKEC1	SQUARE 24 V 130 W, 60 LED, CRI 70	110 W	18 600 lm	143 lm/W	70
S2V1001001XXXXXAKEC1	SQUARE 24 V 100 W, 100 LED, CRI 70	130 W	14 800 lm	148 lm/W	70
S2V1301001XXXXXAKEC1	SQUARE 24 V 130 W, 100 LED, CRI 70	130 W	19 300 lm	148 lm/W	70
S2V1501001XXXXXAKEC1	SQUARE 24 V 150 W, 100 LED, CRI 70	150 W	22 200 lm	148 lm/W	70
S2V0500402XXXXXAKEC1	SQUARE 24 V 50 W, 40 LED, CRI 80	50 W	5 900 lm	118 lm/W	80
S2V0700402XXXXXAKEC1	SQUARE 24 V 70 W, 40 LED, CRI 80	70 W	8 300 lm	119 lm/W	80
S2V0900402XXXXXAKEC1	SQUARE 24 V 90 W, 40 LED, CRI 80	90 W	10 600 lm	118 lm/W	80
S2V0900602XXXXXAKEC1	SQUARE 24 V 90 W, 60 LED, CRI 80	90 W	12 000 lm	133 lm/W	80
S2V1100602XXXXXAKEC1	SQUARE 24 V 110 W, 60 LED, CRI 80	100 W	14 600 lm	133 lm/W	80
S2V1300602XXXXXAKEC1	SQUARE 24 V 130 W, 60 LED, CRI 80	110 W	17 300 lm	133 lm/W	80
S2V1001002XXXXXAKEC1	SQUARE 24 V 100 W, 100 LED, CRI 80	130 W	13 800 lm	138 lm/W	80
S2V1301002XXXXXAKEC1	SQUARE 24 V 130 W, 100 LED, CRI 80	130 W	18 000 lm	138 lm/W	80
S2V1501002XXXXXAKEC1	SQUARE 24 V 150 W, 100 LED, CRI 80	150 W	20 700 lm	138 lm/W	80

When ordering, please specify the desired beam angle curve and colour temperature.

Luminous flux tolerance +/- 10%. Power consumption tolerance depends on the power level - less than 100 W or equal to 100 W power consumption tolerance is 5%, over 100 W - 2.5%. The luminous flux, light intensity distribution and light efficiency were tested according to PN-EN 13032-4: 2015-09 and PN-EN 60598-1: 2015-04 at an ambient temperature of 25 °C. Accessories for installation are quoted separately by the manufacturer.

LUCA HERMETIC LED 24 V



Scan QR code for full product details, photos and downloads.

LINEAR HERMETIC LED FIXTURE LUMINAIRE POWERED BY SAFE VOLTAGE 24 V AC



24V

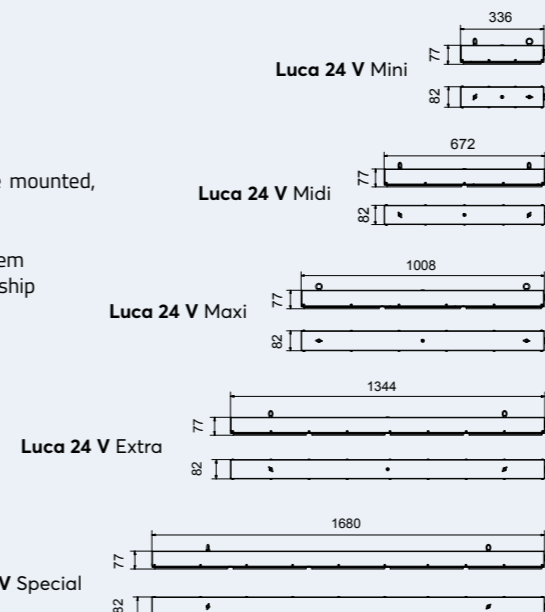
LUCA HERMETIC 24 V is an industrial luminaire specifically designed to work in places with high humidity at risk of electric shock, requiring „safe voltage“ 24 V AC. Featuring linear luminaire optics with very low UGR, LUCA HERMETIC LED 24V is perfect for both low and medium heights. Available in five sizes, the luminaire's simple design makes it quick and easy to install. Widely applied in areas such as sewage plants and service ducts, LUCA HERMETIC LED 24 V has been designed with safety at the forefront.



Key advantages

- safe voltage 24 V
- luminous efficacy up to 128 lm/W
- lifetime up to 100 000 h (L80B10)
- three mounting methods: surface mounted, suspended or single-point
- universal application
- can be adapted to any control system
- modern design and solid workmanship (IP67, IK09)
- made in Poland

Dimensions [mm]



Application

- places with high humidity, risk of electric shock
- wastewater treatment stations
- inspection and service channels

Technical data

Light source	LED
Power consumption	25 - 125 W
Luminaire luminous flux	3 145 - 15 980 lm
Luminaire efficacy	128 lm/W
Colour temperature	3 000 K, 4 000 K
Colour rendering index (CRI)	80
Lumen maintenance output	100 000 h (L80B10)
Operating temperature	-25 °C do +40 °C
Beam angles	90°, 60°, 30°, 20°, ± 20°
Material	steel housing
Colour	anthracite; other colours on request
Finish	powder coating
Optics	PMMA
Ingress protection rating	IP65
Impact protection rating	IK09
Weight	1.6 kg, 2.5 kg, 3.5 kg, 5.2 kg, 6 kg
Voltage	24 V
Warranty	5 years
Control systems	optional

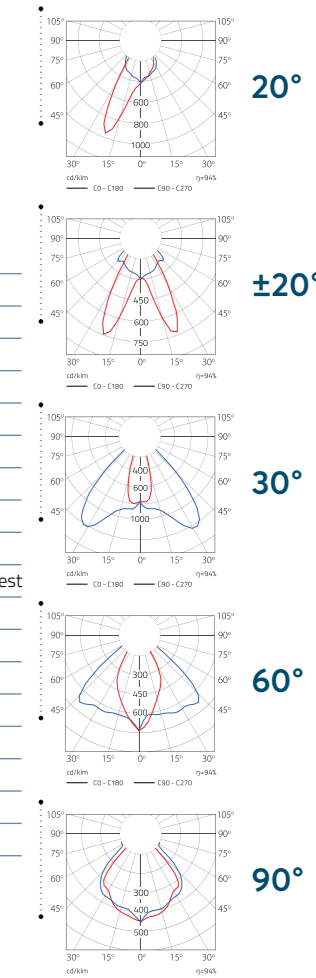
Family

INDEX NO	NAME	POWER	LUMINAIRE LUMINOUS FLUX	LUMINAIRE EFFICACY	RA/CRI
S430250482XXXXXBIEC1	LUCA 24 V MINI 25 W, 48 LED, CRI 80	25 W	3 145 lm	126 lm/W	80
S430500962XXXXXBIEC1	LUCA 24 V MIDE 50 W, 96 LED, CRI 80	50 W	6 375 lm	128 lm/W	80
S430751442XXXXXBIEC1	LUCA 24 V MAXI 75 W, 144 LED, CRI 80	75 W	9 605 lm	128 lm/W	80
S431001922XXXXXBIEC1	LUCA 24 V EXTRA 100 W, 192 LED, CRI 80	100 W	12 835 lm	128 lm/W	80
S431252402XXXXXBIEC1	LUCA 24 V SPECIAL 125 W, 240 LED, CRI 80	125 W	15 980 lm	128 lm/W	80

When ordering, please specify the desired beam angle curve and colour temperature.

Luminous flux tolerance +/- 10%. Power consumption tolerance depends on the power level - less than 100 W or equal to 100 W power consumption tolerance is 5%, over 100 W - 2.5%. The luminous flux, light intensity distribution and light efficiency were tested according to PN-EN 13032-4: 2015-09 and PN-EN 60598-1: 2015-04 at an ambient temperature of 25 °C. Accessories for installation are quoted separately by the manufacturer.

Optic Beam Angles



LINEAR & HERMETIC LUMINAIRES

Alternatives to high bay luminaires include linear and hermetic luminaires, which provide a wide distribution of light focused along a line. This is a group of luminaires that is usually installed in warehouses and industrial buildings, as well as in large-area shops and garages.

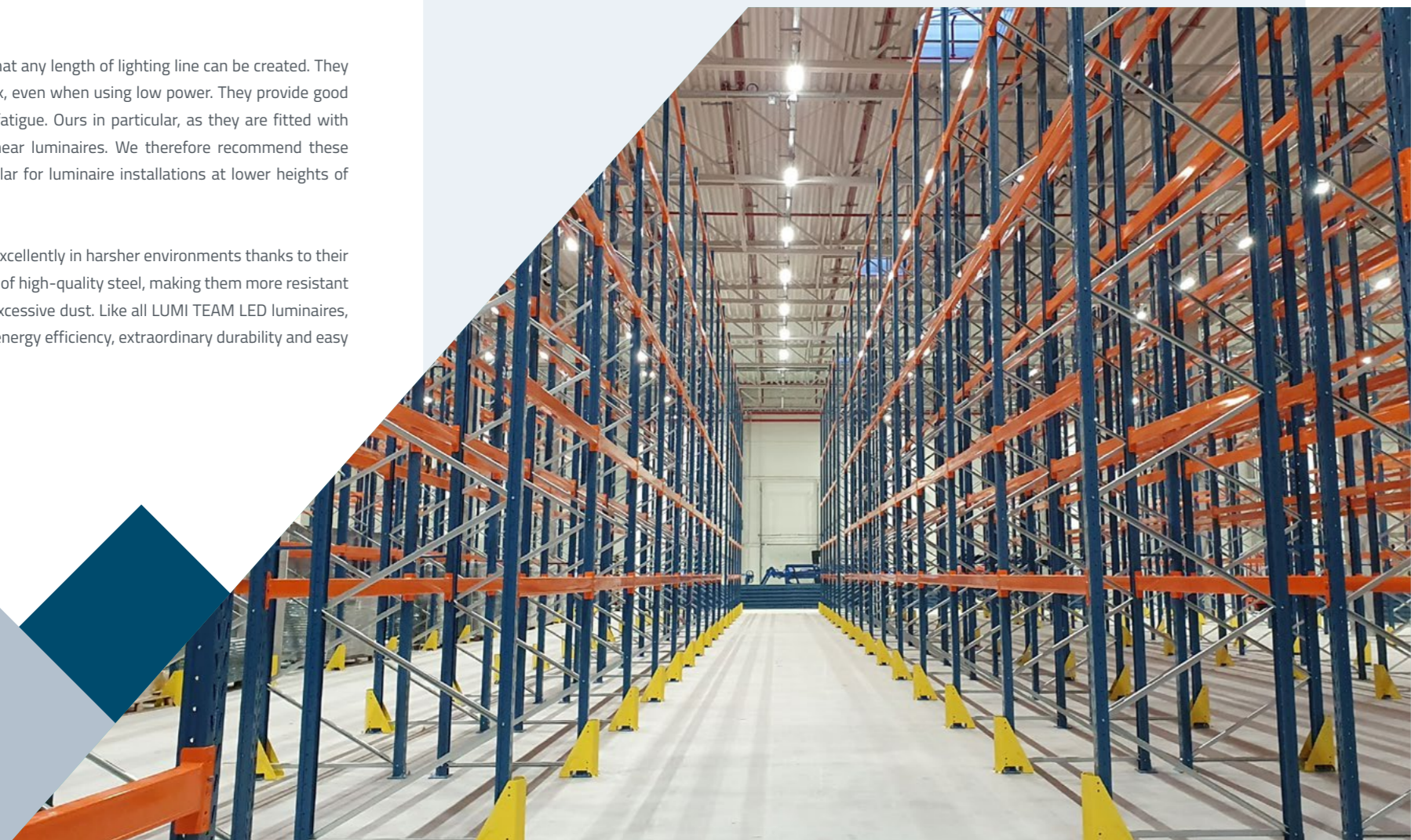
The advantage of linear luminaires is that any length of lighting line can be created. They generate a relatively high luminous flux, even when using low power. They provide good visibility and counteract users' visual fatigue. Ours in particular, as they are fitted with ultra-low glare optics dedicated to linear luminaires. We therefore recommend these luminaires to our customers in particular for luminaire installations at lower heights of several metres.

Our hermetic luminaires also perform excellently in harsher environments thanks to their parameters and design. They are made of high-quality steel, making them more resistant to weathering, increased humidity or excessive dust. Like all LUMI TEAM LED luminaires, they are characterised by outstanding energy efficiency, extraordinary durability and easy installation and maintenance.



Scan QR code for full project details, photos and downloads.

Distribution Center, ASAJ, Siedlce, Poland



LUCA HERMETIC LED



Scan QR code for full product details, photos and downloads.

LINEAR HERMETIC LED FIXTURE WITH VERY LOW UGR



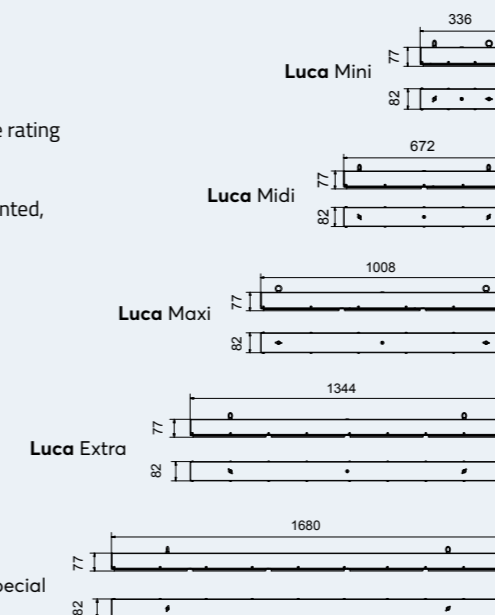
LUCA HERMETIC LED is a hermetic light fitting for use in production halls, storage rooms, workshops, supermarkets as well as car parks. Given its high ingress protection rating IP65, it is also perfectly applicable in car washes. With its excellent performance and optics, the light fitting can be used in narrow corridors as well as open spaces. Simple design ensures easy installation. Connectable units can be easily and tool-free installed in continuous light-lines, which constitutes an additional strength of the fitting. Equipped with linear optics with very low unified glare rating (UGR), LUCA HERMETIC LED is perfect for low and medium installation heights. The light fitting is available in five different lengths.



Key advantages

- luminous efficacy up to 150 lm/W
- linear optics with very low unified glare rating (UGR)
- lifetime up to 100 000 h (L80B10)
- three mounting methods: surface mounted, suspended or single-point
- universal application
- can be adapted to any control system
- modern design and solid workmanship (IP65, IK09)
- made in Poland

Dimensions [mm]



Application

- Production halls
- Warehouses
- Underground parkings and passes
- Powerhouses
- Workshops
- Car washes
- Petrol stations

Technical data

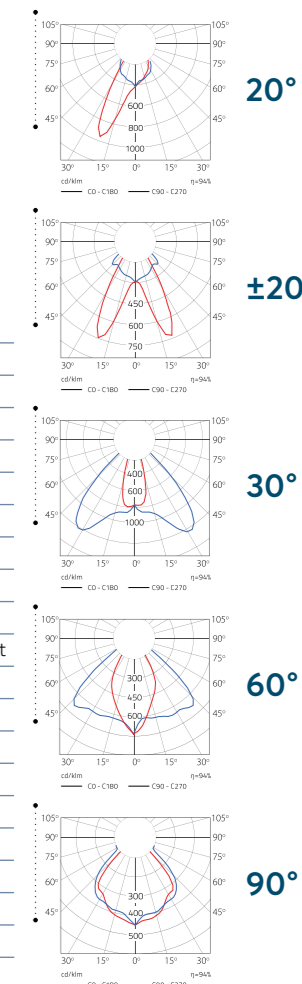
Light source	LED
Power consumption	25 - 125 W
Luminaire luminous flux	3 700 - 18 800 lm
Luminaire efficacy	150 lm/W
Colour temperature	3 000 K, 4 000 K
Colour rendering index (CRI)	80
Lumen maintenance output	100 000 h (L80B10)
Operating temperature	-25 °C do +40 °C
Beam angles	90°, 60°, 30°, 20°, ± 20°
Material	steel housing
Colour	anthracite; other colours on request
Finish	powder coating
Optics	PMMA
Ingress protection rating	IP65
Impact protection rating	IK09
Weight	1.6 kg, 2.5 kg, 3.5 kg, 5.2 kg, 6 kg
Voltage	230 V
Frequency	50 Hz
Warranty	5 years
Control systems	optional

Family

INDEX NO	NAME	POWER	LUMINAIRE LUMINOUS FLUX	LUMINAIRE EFFICACY	RA/CRI
S410250482XXXXXBIEA1	LUCA H MINI 25 W, 48 LED, CRI 80	25 W	3 700 lm	148 lm/W	80
S410500962XXXXXBIEA1	LUCA H MIDEI 50 W, 96 LED, CRI 80	50 W	7 500 lm	150 lm/W	80
S410751442XXXXXBIEA1	LUCA H MAXI 75 W, 144 LED, CRI 80	75 W	11 300 lm	151 lm/W	80
S411001922XXXXXBIEA1	LUCA H EXTRA 100 W, 192 LED, CRI 80	100 W	15 100 lm	151 lm/W	80
S411252402XXXXXBIEA1	LUCA H SPECIAL 125 W, 240 LED, CRI 80	125 W	18 800 lm	150 lm/W	80

When ordering, please specify the desired beam angle curve and colour temperature. Luminous flux tolerance +/- 10%. Power consumption tolerance depends on the power level - less than 100 W or equal to 100 W power consumption tolerance is 5%, over 100 W - 2.5%. The luminous flux, light intensity distribution and light efficiency were tested according to PN-EN 13032-4: 2015-09 and PN-EN 60598-1: 2015-04 at an ambient temperature of 25 °C. Accessories for installation are quoted separately by the manufacturer.

Optic beam angles

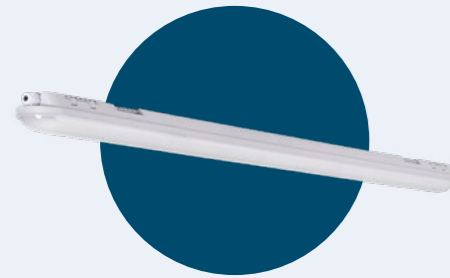


LUTURE HERMETIC LED

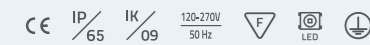


Scan QR code for full product details, photos and downloads.

DUST-PROOF LED HERMETIC LUMINAIRE



LUTURE HERMETIC LED is a hermetic luminaire with simple design, very good parameters and wide application. Available in narrow-flux and asymmetrical versions, this versatile luminaire is a good choice for areas with high requirements for dust and water tightness. Easy and quick access to essential connection parts allows the luminaire to be installed in less than 3 minutes. In addition, the mounting brackets are adjustable within 40 mm.



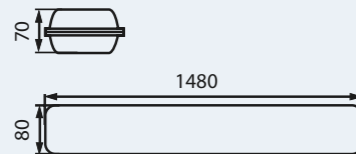
Key advantages

- luminous efficacy up to 161 lm / W
- dustproof design
- mounting brackets adjustable in the range of 40 mm
- quick and easy installation without the need to open the luminaire
- two versions with lenses
- optional intelligent DALI lighting control system
- narrow beam and asymmetric versions available
- two types of lampshades
- very affordable price
- made in Poland

Application

- parking lots and underground passages
- production halls
- assembly halls
- warehouses
- wholesalers
- power plants
- workshops

Dimensions [mm]



Technical data

Light source	LED	Colour	gray
Power consumption	28 - 73 W	Optics	PMMA
Luminaire luminous flux	4 100 - 10 200 lm	Ingress protection rating	IP65
Luminaire efficacy	146 - 161 lm/W	Impact protection rating	IK08
Colour temperature	4 000 K	Weight	1.75 kg
Colour rendering index (CRI)	≥ 80	Voltage	220-240 V
Lumen a output	50 000 h*	Frequency	50/60 Hz
Operating temperature	-25°C do +40°C	Warranty	5 years
Beam angles	narrow beam, asymmetrical	Control systems	optional
Connection type	self-locking cube		
Range of sections of the conductors used [mm²]	1.5+2.5 mm²		

* The total lighting time cannot exceed 12 hours / day.

Family

INDEX NO	NAME	POWER	LUMINAIRE LUMINOUS FLUX	LUMINAIRE EFFICACY	RA/CRI	MAX OPERATING TEMPERATURE
LU120028W840OPL	LUTURE H LED 28 W, CRI 80, OPL	28 W	4 100 lm	146 lm/W	80	40°C
LU120028W840INT	LUTURE H LED 28 W, CRI 80, INT	28 W	4 300 lm	154 lm/W	80	40°C
LU120028W840ASY	LUTURE H LED 28 W, CRI 80, ASY	28 W	4 300 lm	154 lm/W	80	40°C
LU120028W840RYF	LUTURE H LED 28 W, CRI 80, RYF	28 W	4 500 lm	161 lm/W	80	40°C
LU120037W840OPL	LUTURE H LED 37 W, CRI 80, OPL	37 W	5 000 lm	135 lm/W	80	40°C
LU120037W840INT	LUTURE H LED 37 W, CRI 80, INT	37 W	5 200 lm	141 lm/W	80	40°C
LU120037W840ASY	LUTURE H LED 37 W, CRI 80, ASY	37 W	5 200 lm	141 lm/W	80	40°C
LU120037W840RYF	LUTURE H LED 37 W, CRI 80, RYF	37 W	5 400 lm	146 lm/W	80	40°C
LU150043W840OPL	LUTURE H LED 43 W, CRI 80, OPL	43 W	6 100 lm	142 lm/W	80	40°C
LU150043W840INT	LUTURE H LED 43 W, CRI 80, INT	43 W	6 300 lm	147 lm/W	80	40°C
LU150043W840ASY	LUTURE H LED 43 W, CRI 80, ASY	43 W	6 300 lm	147 lm/W	80	40°C
LU150043W840RYF	LUTURE H LED 43 W, CRI 80, RYF	43 W	6 500 lm	151 lm/W	80	35°C
LU120049W840OPL	LUTURE H LED 49 W, CRI 80, OPL	49 W	6 200 lm	127 lm/W	80	35°C
LU120049W840INT	LUTURE H LED 49 W, CRI 80, INT	49 W	6 500 lm	133 lm/W	80	35°C
LU120049W840ASY	LUTURE H LED 49 W, CRI 80, ASY	49 W	6 500 lm	133 lm/W	80	35°C
LU120049W840RYF	LUTURE H LED 49 W, CRI 80, RYF	49 W	6 700 lm	137 lm/W	80	35°C
LU150055W840OPL	LUTURE H LED 55 W, CRI 80, OPL	55 W	7 500 lm	136 lm/W	80	35°C
LU150055W840INT	LUTURE H LED 55 W, CRI 80, INT	55 W	7 900 lm	144 lm/W	80	35°C
LU150055W840ASY	LUTURE H LED 55 W, CRI 80, ASY	55 W	7 900 lm	144 lm/W	80	35°C
LU150055W840RYF	LUTURE H LED 55 W, CRI 80, RYF	55 W	8 150 lm	148 lm/W	80	35°C
LU150073W840OPL	LUTURE H LED 73 W, CRI 80, OPL	73 W	9 400 lm	129 lm/W	80	35°C
LU150073W840INT	LUTURE H LED 73 W, CRI 80, INT	73 W	9 800 lm	134 lm/W	80	35°C
LU150073W840ASY	LUTURE H LED 73 W, CRI 80, ASY	73 W	9 800 lm	134 lm/W	80	35°C
LU150073W840RYF	LUTURE H LED 73 W, CRI 80, RYF	73 W	10 200 lm	140 lm/W	80	35°C

When ordering, please specify the desired beam angle curve and colour temperature.

Luminous flux tolerance +/- 10%. Power consumption tolerance depends on the power level - less than 100 W or equal to 100 W power consumption tolerance is 5%, over 100 W - 2.5%. The luminous flux, light intensity distribution and light efficiency were tested according to PN-EN 13032-4: 2015-09 and PN-EN 60598-1: 2015-04 at an ambient temperature of 25°C. Accessories for installation are quoted separately by the manufacturer.



WORKBEAR Clothing store, Cham, Germany



Scan QR code for full project details, photos and downloads.

UNDER CANOPY LUMINAIRES

Your petrol station is an oasis on the road. A welcome sight for motorists in need of fuel and a stop for weary travellers. It is also a safe place to stop and rest. Our lighting solutions improve a petrol station in many different ways. The right choice of lighting not only saves money, but also encourages travellers to visit more often. Lighting can also provide valuable information about consumer habits. Modern lighting is essential to ensure adequate visibility, an attractive appearance, the right atmosphere and safety for customers visiting the petrol station.

We offer modern LED luminaires dedicated to service stations, which are characterised by functionality, energy efficiency and long service life. In our range you will find outdoor lighting for petrol stations such as LED luminaires for the petrol canopy, car park or car wash, as well as indoor lighting for the shop and sanitary facilities. Our outdoor lighting units meet high standards of resistance to adverse atmospheric conditions (humidity, high temperatures, oil mist) thanks to its sophisticated design and the use of top-quality components. In addition, our under canopy LED luminaires are equipped with optics that precisely direct the light and a customised masking panel that is tailored to the station being modernised, guaranteeing the highest level of aesthetics. For additional savings, all our lighting solutions can be fitted with a control system of your choice. Under canopy LED fittings are also available in an explosion-proof version.

Petrol station, Sucha Beskidzka, Poland



Scan QR code for full project details, photos and downloads.



SQUARE PETROL LED



Scan QR code for full product details, photos and downloads.

UNDER-CANOPY LED LIGHT FITTING FOR PETROL STATIONS



SQUARE PETROL LED is a modern light fitting designed for petrol stations offering luminous efficiency and high-precision optics. High protection rating (IP67) and tempered glass with silicone gasket guarantee excellent protection against oil mist and dirt. Complimentary mounting brackets allow for simple and easy adjustment of the light fitting, whereas a custom-made masking panel guarantees perfect adjustment to your petrol station's canopy and its modern look. Additionally SQUARE PETROL LED can be adapted to any control system which for you means extra savings. This compact LED luminaire is one of our bestsellers.



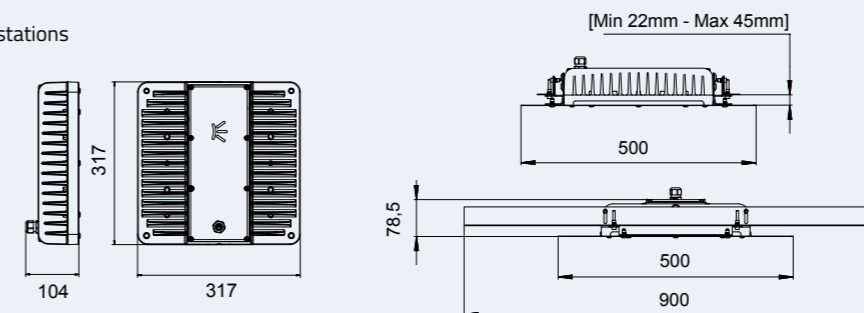
Key advantages

- luminous efficacy up to 165 lm/W
- lifetime up to 100 000 h (L80B10)
- tempered glass for extra protection
- easy installation and adjustment (mounting brackets included)
- masking panel made to measure
- can be adapted to any control system
- dedicated optics with wide range of beam angle
- white or anthracite colour
- modern design and solid workmanship (IP67, IK09)
- made in Poland

Application

- gas stations

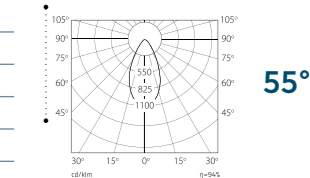
Dimensions [mm]



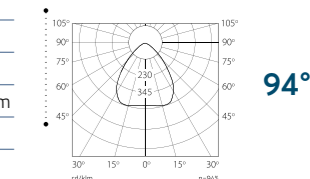
Technical data

Light source	LED
Power consumption	90 - 100 W
Luminaire luminous flux	11 800 - 16 500 lm
Luminaire efficacy	131 - 165 lm/W
Colour temperature	4 000 K, 5 700 K
Colour rendering index (CRI)	70, 80
Lumen maintenance output	100 000 h (L80B10)
Operating temperature*	-40°C do +40°C
Beam angles	55°, 94°
Material	high-pressure die-cast aluminium
Colour	white; other colours on request
Finish	powder coating
Glass	tempered glass
Optics	PMMA
Ingress protection rating	IP67
Impact protection rating	IK09
Weight	9 kg
Voltage	230 V
Frequency	50 Hz
Warranty	5 years
Control systems	optional

Optic beam angles



55°



94°

AVAILABLE IN
EXPLOSION PROOF
VERSION
OR DIM VERSION



Family

INDEX NO	NAME	POWER	LUMINAIRE LUMINOUS FLUX	LUMINAIRE EFFICACY	RA/CRI
S210900401XXXXXAKEA2	SQUARE PT 90 W, 40 LED, CRI 70	90 W	12 800 lm	142 lm/W	70
S210900601XXXXXAKEA2	SQUARE PT 90 W, 60 LED, CRI 70	90 W	14 400 lm	160 lm/W	70
S211001001XXXXXAKEA2	SQUARE PT 100 W, 100 LED, CRI 70	100 W	16 500 lm	165 lm/W	70
S210900402XXXXXAKEA2	SQUARE PT 90 W, 40 LED, CRI 80	90 W	11 800 lm	131 lm/W	80
S210900602XXXXXAKEA2	SQUARE PT 90 W, 60 LED, CRI 80	90 W	13 300 lm	148 lm/W	80
S211001002XXXXXAKEA2	SQUARE PT 100 W, 100 LED, CRI 80	100 W	15 400 lm	154 lm/W	80

When ordering, please specify the desired beam angle curve and colour temperature.

Luminous flux tolerance +/- 10%. Power consumption tolerance depends on the power level - less than 100 W or equal to 100 W power consumption tolerance is 5%, over 100 W - 2.5%. The luminous flux, light intensity distribution and light efficiency were tested according to PN-EN 13032-4:2015-09 and PN-EN 60598-1:2015-04 at an ambient temperature of 25°C. Accessories for installation are quoted separately by the manufacturer.



SQUARE PETROL BOX

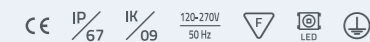


Scan QR code for full product details, photos and downloads.

LED LIGHT FITTING LUMINAIRE FOR SURFACE MOUNTING



SQUARE PETROL BOX will be the right choice wherever you need to use a surface-mounted luminaire with higher power, but at the same time you want its fixing to be as little visible as possible. It has been designed specifically for single-ceiling gas station canopies. This small size high bay luminaire in powder coated or stainless steel housing is both a functional and energy-efficient choice. The luminaire is equipped with a tempered glass pane with silicone gasket and effectively protects the light source from oil mist and other contaminants. It is characterized by high efficiency (up to 165 lm/W) and high protection grade (IP67). The large selection of power and types of optics allows for ideal adjustment of lighting to customer needs.



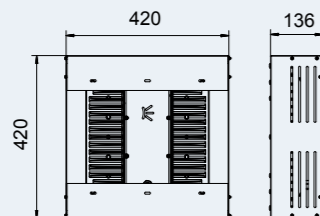
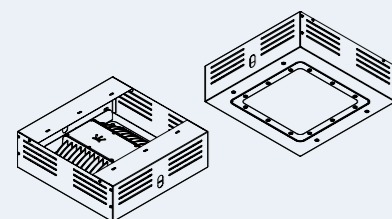
Key advantages

- luminaire efficacy up to 165 lm/W
- lifetime up to 100 000 h (L80B10)
- equipped with tempered glass panel
- easy assembly and mounting
- optional stainless steel housing
- can be adapted to any control system
- modern design and solid workmanship (IP67, IK09)
- wide range of power and beam angles
- made in Poland

Application

- single-ceiling gas station canopies

Dimensions [mm]



Technical data

Light source	LED	Glass	tempered glass
Power consumption	50 - 150 W	Ingress protection rating	IP67
Luminaire luminous flux	6600 - 24 700 lm	Impact protection rating	IK09
Luminaire efficacy	142 - 165 lm/W	Weight	11,2 kg
Colour temperature	4 000 K, 5 700 K	Voltage	230 V
Colour rendering index (CRI)	70, 80	Frequency	50 Hz
Lumen maintenance output	100 000 h (L80B10)	Warranty	5 years
Operating temperature	-40°C do +40°C	Control systems	optional
Beam angles	55°, 94°		
Material	high-pressure die-cast aluminium		
Colour	white; other colours on request		
Finish	powder coating		
Optics	PMMA		

Family

INDEX NO	NAME	POWER	LUMINAIRE LUMINOUS FLUX	LUMINAIRE EFFICACY	RA/CRI
S210500401XXXBXAKEA2	SQUARE PT BOX 50 W, 40 LED, CRI 70	50 W	7 100 lm	142 lm/W	70
S210700401XXXBXAKEA2	SQUARE PT BOX 70 W, 40 LED, CRI 70	70 W	10 000 lm	143 lm/W	70
S210900401XXXBXAKEA2	SQUARE PT BOX 90 W, 40 LED, CRI 70	90 W	12 800 lm	142 lm/W	70
S210900601XXXBXAKEA2	SQUARE PT BOX 90 W, 60 LED, CRI 70	90 W	14 400 lm	160 lm/W	70
S211100601XXXBXAKEA2	SQUARE PT BOX 110 W, 60 LED, CRI 70	110 W	17 600 lm	160 lm/W	70
S211300601XXXBXAKEA2	SQUARE PT BOX 130 W, 60 LED, CRI 70	130 W	20 800 lm	160 lm/W	70
S211001001XXXBXAKEA2	SQUARE PT BOX 100 W, 100 LED, CRI 70	100 W	16 500 lm	165 lm/W	70
S211301001XXXBXAKEA2	SQUARE PT BOX 130 W, 100 LED, CRI 70	130 W	21 400 lm	165 lm/W	70
S211501001XXXBXAKEA2	SQUARE PT BOX 150 W, 100 LED, CRI 70	150 W	24 700 lm	165 lm/W	70
S210500402XXXBXAKEA2	SQUARE PT BOX 50 W, 40 LED, CRI 80	50 W	6 600 lm	132 lm/W	80
S210700402XXXBXAKEA2	SQUARE PT BOX 70 W, 40 LED, CRI 80	70 W	9 200 lm	131 lm/W	80
S210900402XXXBXAKEA2	SQUARE PT BOX 90 W, 40 LED, CRI 80	90 W	11 800 lm	131 lm/W	80
S210900602XXXBXAKEA2	SQUARE PT BOX 90 W, 60 LED, CRI 80	90 W	13 300 lm	148 lm/W	80
S211100602XXXBXAKEA2	SQUARE PT BOX 110 W, 60 LED, CRI 80	110 W	16 200 m	147 lm/W	80
S211300602XXXBXAKEA2	SQUARE PT BOX 130 W, 60 LED, CRI 80	130 W	19 200 m	148 lm/W	80
S211001002XXXBXAKEA2	SQUARE PT BOX 100 W, 100 LED, CRI 80	100 W	15 400 lm	154 lm/W	80
S211301002XXXBXAKEA2	SQUARE PT BOX 130 W, 100 LED, CRI 80	130 W	20 000 lm	154 lm/W	80
S211501002XXXBXAKEA2	SQUARE PT BOX 150 W, 100 LED, CRI 80	150 W	23 100 lm	154 lm/W	80

When ordering, please specify the desired beam angle curve and colour temperature.

Luminous flux tolerance +/- 10%. Power consumption tolerance depends on the power level - less than 100 W or equal to 100 W power consumption tolerance is 5%, over 100 W - 2.5%. The luminous flux, light intensity distribution and light efficiency were tested according to PN-EN 13032-4: 2015-09 and PN-EN 60598-1: 2015-04 at an ambient temperature of 25°C. Accessories for installation are quoted separately by the manufacturer.



Under-canopy lighting at the CIRCLE K petrol station, Dębica, Poland



Scan QR code for full project details, photos and downloads.

LARGE-AREA FLOODLIGHTS

When designing our large-area floodlights, we prioritised excellent visibility and a variety of possibilities to create luminaire layouts perfectly tailored to the requirements of the project in hand. The result are the BEETLE and SQUARE FLOODLIGHT luminaires, which have as many as eight different layout options in their family.

One of the facilities most commonly illuminated with this type of luminaire is outdoor sports venues. We specialise in the design and supply of innovative LED lighting solutions for the illumination of football pitches, tennis courts, ski slopes, golf courses, as well as full-size sports stadiums and entertainment arenas. Our floodlight luminaires are equipped with optics that precisely direct the light with a very low UGR glare, which is a key issue for athletes and fans alike, as well as for organisers of televised sports events.

Proper lighting and minimised glare are also crucial to the smooth and safe operation of spaces such as ports and marine or airport terminals - regardless of their size. Here too we can boast of successful projects. Our luminaires function perfectly on such demanding sites and meet all the applicable standards. They are characterised by above-average durability even in harsh weather conditions, ease of installation and maintenance, as well as many years of service life. Whether it is an international container port or a local airport terminal, our lighting solutions enable their employees to work efficiently and safely.



Scan QR code for full project details, photos and downloads.

Football pitch, Wadowice, Poland



BEETLE II LED FLOODLIGHT

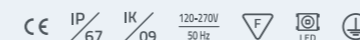


Scan QR code for full product details, photos and downloads.

HIGH BAY LED FLOODLIGHTS WITH MAXIMUM POWER



BEETLE II LED FLOODLIGHT is a modular lighting solution for sports facilities, airports or loading docks. It's the right choice wherever strong lighting is needed high up. Due to the fact that BEETLE II LED FLOODLIGHT luminaires are characterised by a strong luminous flux, high luminous efficiency and high temperature resistance, this set is not only energy-saving but also very durable. Free configuration of the number of luminaires and power selection allows for ideal adjustment of BEETLE II LED FLOODLIGHT to customer needs. In addition, the steel structure supporting the luminaires is customised to fit the façade or pole.



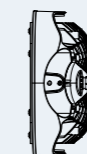
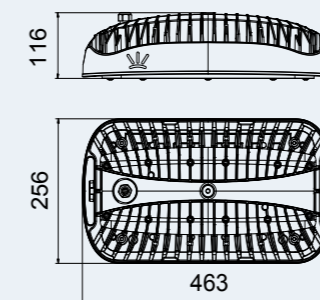
Key advantages

- exceptional luminaire efficacy up to 144 lm/W ▪ power up to 2000 W
- service life up to 100 000 h (L80B10) ▪ high temperature resistance (LUMI COOL®)
- possibility to order steel construction made to measure
- power supply can be mounted externally on ground
- possibility to combine any number of luminaires depending on the required luminous flux
- wide range of power and beam angles ▪ easy assembly and mounting (adjustable handle)
- can be adapted to any control system ▪ italian design and solid workmanship (IP67, IK09) ▪ made in Poland

Application

- outdoor sports facilities
- logistics hubs
- airports and stations
- loading docks
- city squares and intersections
- parking areas

Dimensions [mm]



Scan QR code and check all products dimensions

Technical data

Light source	LED	Glass	tempered glass
Power consumption	max. 2 000 W	Ingress protection rating	IP67
Luminaire luminous flux	max. 282 000 lm	Impact protection rating	IK09
Luminaire efficacy	max. 144 lm/W	Weight	1 module - 6,1 kg
Colour temperature	4 000 K, 5 700 K, other colours on request	Voltage	230 V
Colour rendering index (CRI)	70	Frequency	50 Hz
Lumen maintenance output	100 000 h (L80B10)	Warranty	5 years
Operating temperature	-40°C do +50°C	Control systems	optional
Beam angles	20°, 30°, 60°, 90°, asymmetric, other on request		
Material	high-pressure die-cast aluminium		
Colour	anthracite; other colours on request		
Finish	powder coating		
Optics	PMMA		

Selection of optic beam angles is available on our website, please scan QR code for direct access.

Family

INDEX NO	NAME	POWER	LUMINAIRE LUMINOUS FLUX	LUMINAIRE EFFICACY	RA/CRI	MAX OPERATING TEMPERATURE
S521501921XXXSAKEA1	BEETLE II DUE 300 W, 384 LED, CRI 70	300 W	43 300 lm	144 lm/W	70	50°C
S522502881XXXSAKEA1	BEETLE II DUE 500 W, 576 LED, CRI 70	500 W	70 600 lm	141 lm/W	70	45°C
S532502881XXXSAKEA1	BEETLE II TRE 750 W, 864 LED, CRI 70	750 W	105 900 lm	141 lm/W	70	45°C
S542502881XXXSAKEA1	BEETLE II QUATTRO 1000 W, 1152 LED, CRI 70	1 000 W	141 200 lm	141 lm/W	70	45°C
S552502881XXXSAKEA1	BEETLE II CINQUE 1250 W, 1440 LED, CRI 70	1 250 W	176 500 lm	141 lm/W	70	45°C
S562502881XXXSAKEA1	BEETLE II SEI 1500 W, 1728 LED, CRI 70	1 500 W	211 800 lm	141 lm/W	70	45°C

When ordering, please specify the desired beam angle curve and colour temperature.

Luminous flux tolerance +/- 10%. Power consumption tolerance depends on the power level - less than 100 W or equal to 100 W power consumption tolerance is 5%, over 100 W - 2.5%. The luminous flux, light intensity distribution and light efficiency were tested according to PN-EN 13032-4, 2015-09 and PN-EN 60598-1: 2015-04 at an ambient temperature of 25°C. Accessories for installation are quoted separately by the manufacturer.

Models



Beetle II LED Floodlight **Due**



Beetle II LED Floodlight **Tre**



Beetle II LED Floodlight **Quattro**



Beetle II LED Floodlight **Sei**



Speedway Track, Stadium Gorzów Stal, Gorzów Wielkopolski, Poland



Scan QR code for full project details, photos and downloads.

SQUARE LED FLOODLIGHT

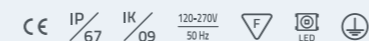


Scan QR code for full product details, photos and downloads.

HIGH BAY LED FLOODLIGHTS WITH MAXIMUM POWER



SQUARE LED FLOODLIGHT is a modular lighting solution for sports facilities, loading docks or airports. It's the right choice wherever strong lighting is needed high up. Due to the fact that SQUARE LED FLOODLIGHT luminaires are characterised by a strong luminous flux, high luminous efficiency and high ingress protection (IP), this set is not only energy-saving but also very durable. Free configuration of the number of luminaires and power selection allows for ideal adjustment of SQUARE LED FLOODLIGHT to customer needs. In addition, the steel structure supporting the luminaires is customised to fit the façade or pole.



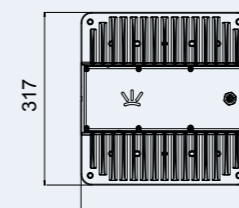
Key advantages

- power up to 1200 W
- luminaire efficacy 165 lm/W
- lifetime up to 100 000 h (L80B10)
- equipped with tempered glass panel
- wide range of power and beam angles
- can be adapted to any control system
- easy assembly and mounting (adjustable handle)
- power supply can be mounted externally on ground
- possibility to order steel construction made to measure
- possibility to combine any number of luminaires depending on the required luminous flux
- modern design and solid workmanship (IP67, IK09)
- made in Poland

Application

- Sport venues
- Logistic hubs
- Airports and train stations
- Parking areas
- Traffic junctions and squares

Dimensions [mm]



317



Scan QR code and check all products dimensions

Models



Square LED Floodlight **Due**



Square LED Floodlight **Tre**



Square LED Floodlight **Quattro**



Square LED Floodlight **Sei**

Technical data

Light source	LED
Power consumption	max. 1 200 W
Luminaire luminous flux	max. 198 000 lm
Luminaire efficacy	165 lm/W
Colour temperature	4 000 K, other on request
Colour rendering index (CRI)	70
Lumen maintenance output	100 000 h (L80B10)
Operating temperature*	-40°C do +40°C
Beam angles	55°, 94°, asymmetric, other on request
Material	high-pressure die-cast aluminium
Finish	powder coating
Colour	anthracite; other colours on request
Optics	PMMA
Glass	tempered glass
Ingress protection rating	IP67
Impact protection rating	IK09
Weight	1 module - 7 kg
Voltage	230 V
Frequency	50 Hz
Warranty	5 years
Control systems	optional

Family

INDEX NO	NAME	POWER	LUMINAIRE LUMINOUS FLUX	LUMINAIRE EFFICACY	RA/CRI
S221501001XXXSXAKEA1	SQUARE DUE 300 W, 200 LED, CRI 70	300 W	49 500 lm	165 lm/W	70
S231501001XXXSXAKEA1	SQUARE TRE 450 W, 300 LED, CRI 70	450 W	74 200 lm	165 lm/W	70
S241501001XXXSXAKEA1	SQUARE QUATTRO 600 W, 400 LED, CRI 70	600 W	99 000 lm	165 lm/W	70
S251501001XXXSXAKEA1	SQUARE CINQUE 750 W, 500 LED, CRI 70	750 W	123 700 lm	165 lm/W	70
S261501001XXXSXAKEA1	SQUARE SEI 900 W, 600 LED, CRI 70	900 W	148 500 lm	165 lm/W	70

When ordering, please specify the desired beam angle curve and colour temperature. Luminous flux tolerance +/- 10%. Power consumption tolerance depends on the power level - less than 100 W or equal to 100 W power consumption tolerance is 5%, over 100 W - 2.5%. The luminous flux, light intensity distribution and light efficiency were tested according to PN-EN 13032-4: 2015-09 and PN-EN 60598-1: 2015-04 at an ambient temperature of 25°C. Accessories for installation are quoted separately by the manufacturer.

STREET LUMINAIRES

Urban space can be demanding and challenging - not only for the city dwellers who traverse its paths every day, but also for those who design them. Local authorities and architects face the challenging task of creating a space that meets the expectations of several user groups. On the one hand, it is absolute safety for pedestrians and drivers, on the other hand, cost optimisation and care for the surrounding environment. Can everyone's needs be reconciled?

The use of our street luminaires guarantees the highest standard of safety and comfort for pedestrians and drivers. It is also a way of optimising the costs of both realising the investment and the use itself. We use LED technology, which makes our road luminaires not only energy efficient but also extremely durable, being designed to illuminate for up to 100,000 hours. Thanks to the excellent luminous efficiency that distinguishes our products, you can count on significant savings and a rapid return on investment. The high quality and excellent light they emit create excellent conditions for living and moving on roads or pavements. Our luminaires are characterised by a high level of resistance to adverse external factors, and their design and equipment fully meet the requirements of most built-up areas. The adaptability of our street lamps for any control system (DALI, NEMA, ZHAGA) further reduces the payback time.

Interchange junction, Katowice, Poland



Scan QR code for full project details, photos and downloads.



CITY STREET LED

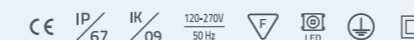


Scan QR code for full product details, photos and downloads.

MODERN AND ENERGY-EFFICIENT LED STREET LUMINAIRE



When developing CITY STREET LED, we put technical aspects and component quality first. We wanted the luminaire to have a simple but functional design that would meet all public tender demands. And so, to increase the protection against overheating of the LEDs, the luminaire has separate compartments for the power supply and the LED module. The outer heat dissipation surface is made with a flat heat sink technology with self-cleaning design. The luminaire is also equipped with a filter that equalizes the pressure between the luminaire's interior and exterior without air suction. Safety is of utmost importance to us, therefore the lamp features a system shutting off the power supply after opening, while tool-free access to the power supply compartment significantly facilitates its unlikely servicing. Additionally, CITY STREET LED gives the user the ability to integrate with any smart control network, maximizing savings, all while using the best quality components.



Application

- urban and residential roads
- parking lots
- pedestrian crossings
- area lighting
- avenues & promenades
- cycle paths

Key advantages

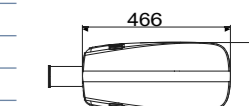
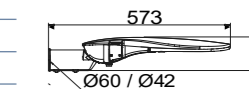
- luminous efficacy of up to 150 lm/W
- energy efficiency that guarantees a quick return on investment
- lifetime up to 100 000 h (L80B10)
- design and equipment of the luminaire meet the requirements of most built-up areas
- available in electric class I or II
- easy to mount on an extension arm or directly on a pole
- smooth position adjustment in the range of -10° to 0° and 0° to +10°
- luminaire can be adapted for any wireless control system (e.g. NEMA socket)
- top quality components
- modern design and robust construction (IP67, IK09)
- made in Poland

Technical data

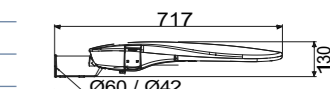
Light source	LED
Power consumption	20 - 200 W
Luminaire luminous flux	3 000 - 30 000 lm
Luminaire efficacy	150 lm/W
Colour temperature	4000 K
Colour rendering index (CRI)	70
Lumen maintenance output	100 000 h (L80B10)
Operating temperature	-40°C do +40°C
Beam angles	asymmetric
Material	high-pressure die-cast aluminium
Finish	powder coating
Colour	grey
Optics	PMMA
Glass	tempered glass
Ingress protection rating	IP67
Impact protection rating	IK09
Weight	4.5 kg, 7.5 kg, 13.5 kg
Voltage	220-230 V
Frequency	50 Hz
Warranty	5 years
Control systems	optional

Dimensions [mm]

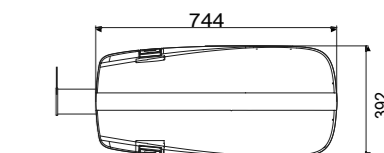
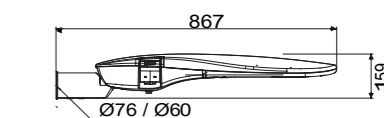
Citi Street LED Mini



Citi Street LED Midi



Citi Street LED Maxi



Family

INDEX NO	NAME	POWER	LUMINAIRE LUMINOUS FLUX	LUMINAIRE EFFICACY	RA/CRI
S300200161XXXPKAKEA4	CITY S MINI 20 W, 16 LED, CRI 70	20 W	3 000 lm	150 lm/W	70
S300400241XXXPKAKEA4	CITY S MINI 40 W, 24 LED, CRI 70	40 W	6 000 lm	150 lm/W	70
S300600361XXXPKAKEA4	CITY S MINI 60 W, 36 LED, CRI 70	60 W	9 000 lm	150 lm/W	70
S310800361XXXPKAKEA4	CITY S MIDI 80 W, 36 LED, CRI 70	80 W	12 000 lm	150 lm/W	70
S311000481XXXPKAKEA4	CITY S MIDI 100 W, 48 LED, CRI 70	100 W	15 000 lm	150 lm/W	70
S311200641XXXPKAKEA4	CITY S MIDI 120 W, 64 LED, CRI 70	120 W	18 000 lm	150 lm/W	70
S321500641XXXPKAKEA4	CITY S MAXI 150 W, 64 LED, CRI 70	150 W	22 500 lm	150 lm/W	70
S321800801XXXPKAKEA4	CITY S MAXI 180 W, 80 LED, CRI 70	180 W	27 000 lm	150 lm/W	70
S322001001XXXPKAKEA4	CITY S MAXI 200 W, 100 LED, CRI 70	200 W	30 000 lm	150 lm/W	70

When ordering, please specify the desired beam angle curve and colour temperature.

Luminous flux tolerance +/- 10%. Power consumption tolerance depends on the power level - less than 100 W or equal to 100 W power consumption tolerance is 5%, over 100 W - 2.5%. The luminous flux, light intensity distribution and light efficiency were tested according to PN-EN 13032-4, 2015-09 and PN-EN 60598-1: 2015-04, at an ambient temperature of 25 °C. Accessories for installation are quoted separately by the manufacturer.



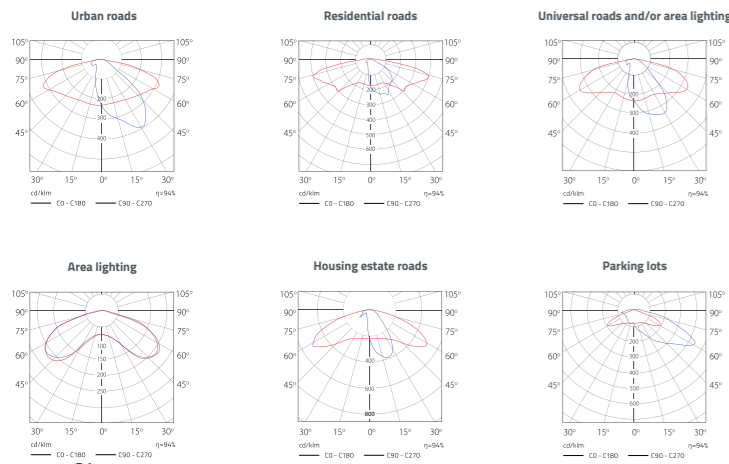
Easy & adjustable mounting

Easy tilt adjustment in a range of -10 ° to 0 ° and 0 ° to + 10 °. Clamping system with a diameter of 42–60 mm allows for mounting both on bracket or directly on pole.

Versatility

A large selection of optics and respective beam angles is available

Optic beam angles



Effective heat dissipation

The luminaire consists of a separate power supply chamber and a separate LED chamber.

Flat self-cleaning radiator

External surface made for heat dissipation using flat heatsink technology with self-cleaning.

Power shut-off system

Safety is ensured by a cut-off system that cuts the power supply when the luminaire is opened.

Wireless control

The luminaire can be adapted for any wireless control system (NEMA socket or DALI)

Pressure equalizing filter

The luminaire is equipped with a filter enabling pressure equalization between the interior housing and the environment without sucking in dirt.

Tool-free access

The luminaire has tool-free access to the power chamber.



Leroy Merlin parking lot, Gdynia, Polska



Scan QR code for full project details, photos and downloads.

SQUARE LED ZEBRA

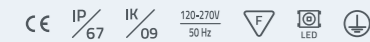


Scan QR code for full product details, photos and downloads.

LED LUMINAIRE FOR PEDESTRIAN CROSSINGS



SQUARE LED ZEBRA is an innovative luminaire designed to improve ground traffic safety. Its task is to illuminate a street crossing in an orange warning colour when a pedestrian or cyclist is approaching. The luminaire, by its action, arouses additional vigilance on the part of drivers, thanks to which other users can feel safer. The luminaire is characterised by high efficiency (up to 143 lm/W) and high protection grade (IP67), as a long lifetime (up to 100 000 h). It is a ground-breaking light fitting that provides safety paired with savings.



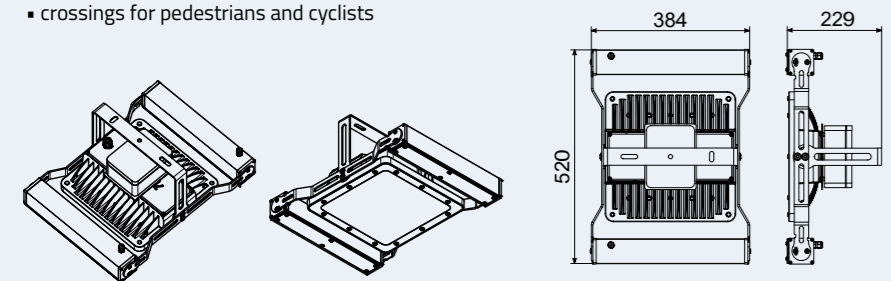
Key advantages

- an innovative luminaire that improves safety at pedestrian and bicycle crossings
- easy mounting and adjustment
- lifetime up to 100 000 h (L80B10)
- can be adapted to any control system
- modern design and solid workmanship (IP67, IK09)
- made in EU

Application

- crossings for pedestrians and cyclists

Dimensions [mm]



Technical data

Light source	LED	Optics	PMMA
Power consumption	110 W*	Glass	tempered glass
Luminaire luminous flux	7 150 lm**	Ingress protection rating	IP67
Luminaire efficacy	143 lm/W	Impact protection rating	IK09
Colour temperature	4 000 K, 5 700 K	Weight	13 kg
Colour rendering index (CRI)	70, 80, 90	Voltage	230 V
Lumen maintenance output	100 000 h (L80B10)	Frequency	50 Hz
Operating temperature*	-40°C do +40°C	Warranty	5 years
Beam angles	asymmetric	Control systems	optional
Material	high-pressure die-cast aluminium		
Finish	powder coating		
Colour	anthracite; other colours on request		

* 50 W - main luminaire power + 2 x 30 W - warning lamps power

** applies to the main luminaire

Family

INDEX NO	NAME	POWER	LUMINAIRE LUMINOUS FLUX	LUMINAIRE EFFICACY	RA/CRI
S2Z0500401XXXDXAKEA2	SQUARE ZEBRA 110 W, 60 LED, CRI 70	110 W*	7 150** lm	143 lm/W	70

When ordering, please specify the desired colour temperature.

Luminous flux tolerance +/- 10%. Power consumption tolerance depends on the power level - less than 100 W or equal to 100 W power consumption tolerance is 5%, over 100 W - 2.5%. The luminous flux, light intensity distribution and light efficiency were tested according to PN-EN 13032-4:2015-09 and PN-EN 60598-1:2015-04 at an ambient temperature of 25°C. Accessories for installation are quoted separately by the manufacturer.

TUNNEL LUMINAIRES

Lighting a tunnel is an extremely responsible task. A number of road lighting standards and lighting performance guidelines present designers and contractors with a difficult challenge.

A safe tunnel is a well-lit tunnel, and a well-lit tunnel is a guarantee of a smooth ride for drivers. Our tunnel luminaires guarantee optimum and even illumination of each tunnel zone. The intensity of lighting adapted to the stage of the road will ensure that drivers entering the tunnel will naturally adapt to the initially increasing and then decreasing darkness. As a result, their visual perceptions will not be distorted and driving comfort as well as good distance visibility will increase.

The luminaires in the tunnels have to operate around the clock and any breakdown forces traffic to stop, generating costs. Our luminaires are designed to last as long as possible - up to 100,000 hours. They are characterised by above-average energy efficiency, extraordinary durability and easy installation and maintenance. In relatively long tunnels, where LED lighting must be extremely resistant to increased pollution from vehicle exhaust fumes, we propose high bay luminaires from the BEETLE and SQUARE families in a special stainless-steel housing. Both models of these bestselling luminaires are also available in an explosion zone version and soon in an emergency version powered by a central battery.

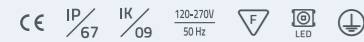


BEETLE II TUNNEL LED

LED LUMINAIRE FOR TUNNELS AND UNDERGROUND PASSAGES



BEETLE II TUNNEL LED luminaire is ideal for lighting road infrastructure facilities such as tunnels and underground passages. Thanks to the strong and uniform light intensity, as well as the flat mounting method, it can also be used in garages or underground stations. Fitted with a tempered glass pane with a silicone gasket, the luminaire effectively protects the light source from oil mist. The stainless steel housing additionally protects against dirt, thus extending the life of the luminaire. The large selection of power and types of optics allows for ideal adjustment of lighting to customer needs, and the luminaire, thanks to its double-compartment construction, works well even in high ambient temperatures. Available with explosion proof EX certification upon request.



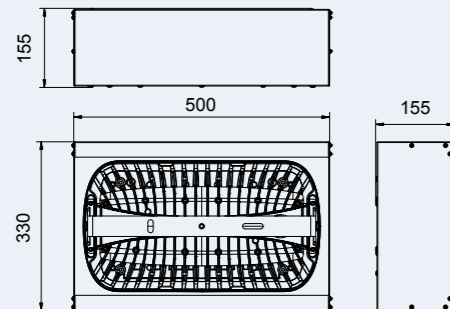
Key advantages

- exceptional luminaire efficacy up to 160 lm/W
- power up to 250 W
- lifetime up to 100 000 h (L80B10)
- stainless steel housing
- explosion proof version available
- tempered glass
- resistance to high temperatures (LUMI COOL®)
- a wide range of powers and lighting angles
- easy assembly & fast mounting
- can be adapted to any control system
- italian design and solid workmanship (IP67, IK09)
- made in Poland

Application

- underground passages
- tunnels
- underground stations

Dimensions [mm]



Technical data

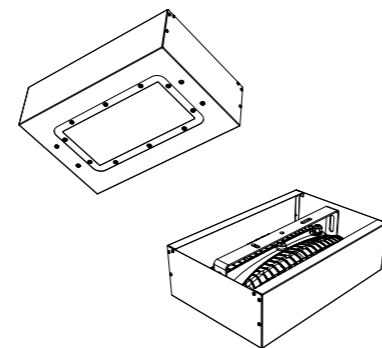
Light source	LED	Optics	PMMA
Power consumption	60 - 250 W	Glass	tempered glass
Luminaire luminous flux	9 600 - 35 200 lm	Ingress protection rating	IP67
Luminaire efficacy	141 - 160 lm/W	Impact protection rating	IK09
Colour temperature	4 000 K, 5 700 K	Weight	13.2 kg
Colour rendering index (CRI)	70	Voltage	230 V
Lumen maintenance output	100 000 h (L80B10)	Frequency	50 Hz
Operating temperature	-40 °C do +55 °C	Warranty	5 years
Beam angles	20°, 30°, 60°, 90°, asymmetric	Control systems	optional
Material	high-pressure die-cast aluminium		
Finish	powder coating		
Box	steel		
Colour	anthracite; other colours on request		

Family

INDEX NO	NAME	POWER	LUMINAIRE LUMINOUS FLUX	LUMINAIRE EFFICACY	RA/CRI	MAX OPERATING TEMPERATURE
S5T0601921XXXTXAKEA1	BEETLE II TL 60 W, 192 LED, CRI 70	60 W	9 600 lm	160 lm/W	70	55 °C
S5T1001921XXXTXAKEA1	BEETLE II TL 100 W, 192 LED, CRI 70	100 W	15 600 lm	156 lm/W	70	55 °C
S5T1301921XXXTXAKEA1	BEETLE II TL 130 W, 192 LED, CRI 70	130 W	19 600 lm	151 lm/W	70	55 °C
S5T1501921XXXTXAKEA1	BEETLE II TL 150 W, 192 LED, CRI 70	150 W	21 600 lm	144 lm/W	70	55 °C
S5T2002881XXXTXAKEA1	BEETLE II TL 200 W, 288 LED, CRI 70	200 W	30 200 lm	151 lm/W	70	45 °C
S5T2502881XXXTXAKEA1	BEETLE II TL 250 W, 288 LED, CRI 70	250 W	35 200 lm	141 lm/W	70	45 °C

When ordering, please specify the desired beam angle curve and colour temperature.

Luminous flux tolerance +/- 10%. Power consumption tolerance depends on the power level - less than 100 W or equal to 100 W power consumption tolerance is 5%, over 100 W - 2.5%. The luminous flux, light intensity distribution and light efficiency were tested according to PN-EN 13032-4: 2015-09 and PN-EN 60598-1: 2015-04 at an ambient temperature of 25 °C. Accessories for installation are quoted separately by the manufacturer.



SQUARE TUNNEL LED

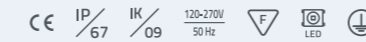
LED LUMINAIRE FOR TUNNELS AND UNDERGROUND PASSAGES



Scan QR code for full product details, photos and downloads.



SQUARE TUNNEL LED luminaire is ideal for lighting road infrastructure facilities such as tunnels or passages under overpasses, underground passages. Thanks to the strong and uniform light intensity, as well as the flat mounting method, it can also be used in garages or underground stations. Equipped with a tempered glass pane with silicone gasket, the luminaire effectively protects the light source from oil mist and other contaminants. The stainless steel housing additionally protects against dirt, thus extending the life of the luminaire. The large selection of power and types of optics allows for ideal adjustment of lighting to customer needs. Available with explosion proof EX certification upon request.



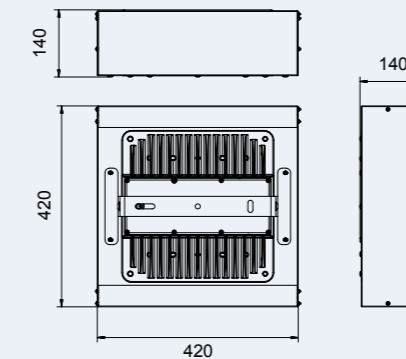
Key advantages

- luminaire efficacy up to 165 lm/W
- lifetime up to 100 000 h (L80B10)
- explosion proof version available
- stainless steel housing
- equipped with tempered glass panel
- easy assembly & fast mounting
- can be adapted to any control system
- modern design and solid workmanship (IP67, IK09)
- made in Poland

Application

- underground crossings
- tunnels
- underground stations

Dimensions [mm]



Technical data

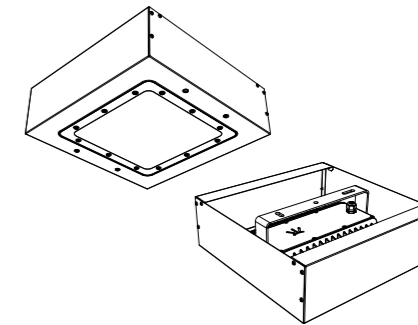
Light source	LED	Optics	PMMA
Power consumption	50 - 150 W	Glass	tempered glass
Luminaire luminous flux	7 100 - 24 700 lm	Ingress protection rating	IP67
Luminaire efficacy	143 - 165 lm/W	Impact protection rating	IK09
Colour temperature	4 000 K, 5 000 K, 6 000 K	Weight	11.1 kg
Colour rendering index (CRI)	70	Voltage	230 V
Lumen maintenance output	100 000 h (L80B10)	Frequency	50 Hz
Operating temperature*	-40 °C do +40 °C	Warranty	5 years
Beam angles	55°, 94°, 37°/103°	Control systems	optional
Material	high-pressure die-cast aluminium		
Box	steel		
Finish	powder coating		
Colour	white; other colours on request		

Family

INDEX NO	NAME	POWER	LUMINAIRE LUMINOUS FLUX	LUMINAIRE EFFICACY	RA/CRI
S2T0500401XXXTXAKEA1	SQUARE TL 50 W, 40 LED, CRI 70	50 W	7 100 lm	142 lm/W	70
S2T0700401XXXTXAKEA1	SQUARE TL 70 W, 40 LED, CRI 70	70 W	10 000 lm	143 lm/W	70
S2T0900401XXXTXAKEA1	SQUARE TL 90 W, 40 LED, CRI 70	90 W	12 800 lm	142 lm/W	70
S2T0900601XXXTXAKEA1	SQUARE TL 90 W, 60 LED, CRI 70	90 W	14 400 lm	160 lm/W	70
S2T1100601XXXTXAKEA1	SQUARE TL 100 W, 100 LED, CRI 70	100 W	16 500 lm	165 lm/W	70
S2T1300601XXXTXAKEA1	SQUARE TL 110 W, 60 LED, CRI 70	110 W	17 600 lm	160 lm/W	70
S2T1001001XXXTXAKEA1	SQUARE TL 130 W, 60 LED, CRI 70	130 W	20 800 lm	160 lm/W	70
S2T1301001XXXTXAKEA1	SQUARE TL 130 W, 100 LED, CRI 70	130 W	21 400 lm	165 lm/W	70
S2T1501001XXXTXAKEA1	SQUARE TL 150 W, 100 LED, CRI 70	150 W	24 700 lm	165 lm/W	70

When ordering, please specify the desired beam angle curve and colour temperature.

Luminous flux tolerance +/- 10%. Power consumption tolerance depends on the power level - less than 100 W or equal to 100 W power consumption tolerance is 5%, over 100 W - 2.5%. The luminous flux, light intensity distribution and light efficiency were tested according to PN-EN 13032-4: 2015-09 and PN-EN 60598-1: 2015-04 at an ambient temperature of 25 °C. Accessories for installation are quoted separately by the manufacturer.



OFFICE & RETAIL LUMINAIRES

With the aim of providing the most comprehensive service to our customers and their investments, we have added high quality office and store luminaires to our range of products, which will provide the appropriate lighting for these types of interiors and give them a unique character. They are characterised by energy efficiency and modern design, while the use of high-quality components and perfect workmanship are a guarantee of their durability and efficiency.

It is common knowledge today that the right lighting in office spaces is one of the factors determining the productivity and motivation of employees, while in the case of retail facilities, it influences the customer's sense of comfort and shapes the perceived image, even stimulating purchases.

In addition to recessed luminaires for suspended ceilings bestselling in office spaces, in our offer you will find LED downlights for suspended ceilings, linear pendant luminaires, as well as track-mounted spotlights, which are a favourite in boutique lighting.



Office lighting in Fabryka Urządzeń Kolejowych, Przysieka, Poland

MAIA LED DOWNLIGHT



Scan QR code for full product details, photos and downloads.

DECORATIVE DOWNLIGHT LUMINAIRE WITH LED LIGHT SOURCE FOR SUSPENDED CEILING



MAIA LED DOWNLIGHT is a compact, decorative downlight luminaire, which can be used in all kinds of interior spaces. The small size of the luminaire and the modern design make it possible to use it in facilities such as offices, shops, malls, hotels or museums. Thanks to its compact housing made of aluminium, it dissipates heat perfectly. Powder paint, applied after prior surface preparation, makes this luminaire highly resistant to atmospheric factors. The possibility of adjusting the power and colour of the luminaire as well of light to individual requirements are additional advantages of the MAIA LED DOWNLIGHT, which thanks to its unique look will not only illuminate but also decorate any space.



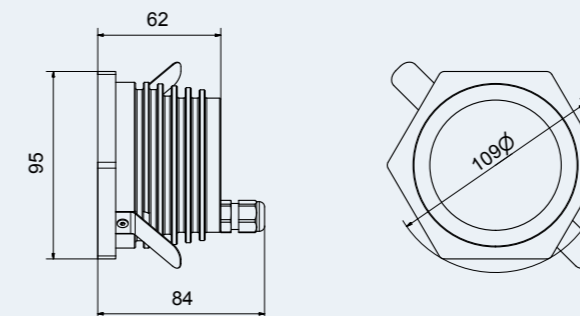
Key advantages

- versatile use
- a wide range of colors
- can be mounted in suspended and cassette ceilings
- lifetime up to 100 000 h (L80B10)
- high resistance to weather conditions
- resistance to high temperatures
- modern design and durable finish
- made in Poland

Application

- offices
- shops
- advertising backlight
- hotels
- museums
- shopping centre
- restaurants
- swimming pools

Dimensions [mm]



Technical data

Light source	COB
Power consumption	20 W
Luminaire luminous flux	2 300 - 2 500 lm
Luminaire efficacy	115 - 125 lm/W
Colour temperature	4 000 K, other colours on request
Colour rendering index (CRI)	80, 90
Lumen maintenance output	100 000 h (L80B10)
Operating temperature	-25 °C do +40 °C
Beam angles	15°, 24°, 36°, 60°
Material	aluminium
Finish	powder coating
Colour	anthracite and white, others on request
Optics	reflector
Diffuser	PMMA
Ingress protection rating	IP20, IP65 on request
Impact protection rating	IK03, IK09 on request
Weight	0.4 kg
Voltage	230 V
Frequency	50 Hz
Warranty	5 years
Control systems	optional



Full selection of optic beam angles available on the website www.lumiteam.eu

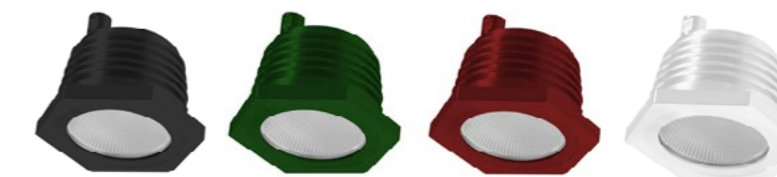
Family

INDEX NO	NAME	POWER	LUMINAIRE LUMINOUS FLUX	LUMINAIRE EFFICACY	RA/CRI
S610200012XXXXXBXXA1	MAIA DOWNLIGHT 20 W, COB LED, CRI 80, OPT	20 W	2 500 lm	125 lm/W	80
S610200013XXXXXBXXA1	MAIA DOWNLIGHT 20 W, COB LED, CRI 90, OPT	20 W	2 300 lm	115 lm/W	90

When ordering, please specify the desired beam angle curve and colour temperature.

Luminous flux tolerance +/- 10%. Power consumption tolerance depends on the power level - less than 100 W or equal to 100 W power consumption tolerance is 5%, over 100 W - 2.5%. The luminous flux, light intensity distribution and light efficiency were tested according to PN-EN 13032-4:2015-09 and PN-EN 60598-1:2015-04 at an ambient temperature of 25 °C. Accessories for installation are quoted separately by the manufacturer.

Colors and accessories



MAIA LED SPOTLIGHT

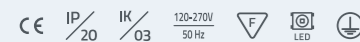


Scan QR code for full product details, photos and downloads.

DECORATIVE SPOTLIGHT LUMINAIRE WITH LED LIGHT SOURCE



MAIA LED SPOTLIGHT is a directional spotlight that will illuminate and highlight any desired object or surface. The luminaire is mounted using a bracket, which allows for any configuration of the setting. Small size, modern design and aesthetic appearance allow for its use in sites such as: offices, shops, malls, as well as in industrial buildings as a workspace illuminator. MAIA LED SPOTLIGHT, thanks to its compact housing made of aluminium, perfectly dissipates heat, which translates into a long service life. The possibility of adjusting the luminaire's beam angle and color rendering index as well as the colour of the luminaire itself to individual requirements are additional advantages that make this product unique. You can be sure that this luminaire will put your products in the spotlight!



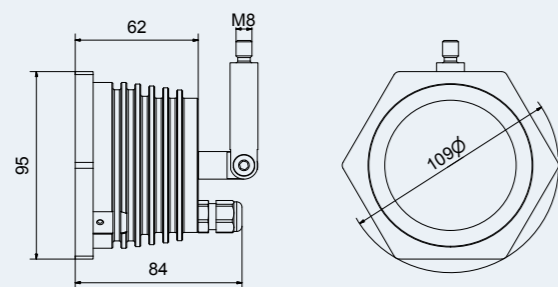
Key advantages

- versatile use
- a wide range of colors
- resistance to high temperature
- lifetime up to 100 000 h (L80B10)
- the movable handle enables precise directing of the light beam
- high resistance to weather conditions
- modern design and durable finish
- made in Poland

Application

- offices
- shops
- advertising backlight
- hotels
- museums
- shopping centre
- restaurants
- gardens

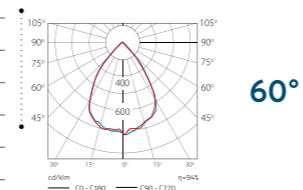
Dimensions [mm]



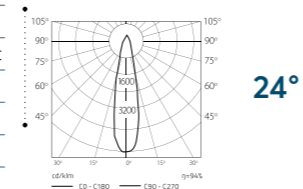
Technical data

Light source	COB
Power consumption	20 W
Luminaire luminous flux	2 200 - 2 540 lm
Luminaire efficacy	115 - 125 lm/W
Colour temperature	4 000 K, inne na zapytanie
Colour rendering index (CRI)	80, 90
Lumen maintenance output	100 000 h (L80B10)
Operating temperature	-25°C do +40°C
Beam angles	15°, 24°, 36°, 60°
Material	aluminium
Finish	powder coating
Colour	anthracite; white, other colours on request
Optics	reflector
Diffuser	PMMA or tempered glass
Ingress protection rating	IP20, IP65 on request
Impact protection rating	IK03, IK09 on request
Weight	0.5 kg
Voltage	230 V
Frequency	50 Hz
Warranty	5 years
Control systems	optional

Optic beam angles



60°



24°

Full selection of optic beam angles available on the website www.lumiteam.eu

Family

INDEX NO	NAME	POWER	LUMINAIRE LUMINOUS FLUX	LUMINAIRE EFFICACY	RA/CRI
S600200012XXXXXXA1	MAIA SPOTLIGHT 20 W, COB LED, CRI 80, OPT	20 W	2 500 lm	125 lm/W	80
S600200013XXXXXXA1	MAIA SPOTLIGHT 20 W, COB LED, CRI 90, OPT	20 W	2 300 lm	115 lm/W	90

When ordering, please specify the desired beam angle curve and colour temperature.

Luminous flux tolerance +/- 10%. Power consumption tolerance depends on the power level - less than 100 W or equal to 100 W power consumption tolerance is 5%, over 100 W - 2.5%. The luminous flux, light intensity distribution and light efficiency were tested according to PN-EN 13032-4:2015-09 and PN-EN 60598-1:2015-04 at an ambient temperature of 25°C. Accessories for installation are quoted separately by the manufacturer.

Colors and accessories



MAIA LED PROJECTOR



Scan QR code for full product details, photos and downloads.

DECORATIVE PROJECTOR LUMINAIRE WITH LED LIGHT SOURCE



MAIA LED PROJECTOR is a spotlight paired with a power rail that will open you up to new possibilities for creating lines of light. This luminaire allows for any configuration of setting and joining of rails, thanks to which it perfectly highlights selected sales elements. The small size and modern design make it possible to use in facilities such as offices, shops, malls, hotels or museums. MAIA LED PROJECTOR, thanks to its compact housing made of aluminium, perfectly dissipates heat, which translates into a long service life. The possibility of adjusting the luminaire's beam angle and color rendering index as well as the colour of the luminaire itself to individual requirements are additional advantages that make this product unique.



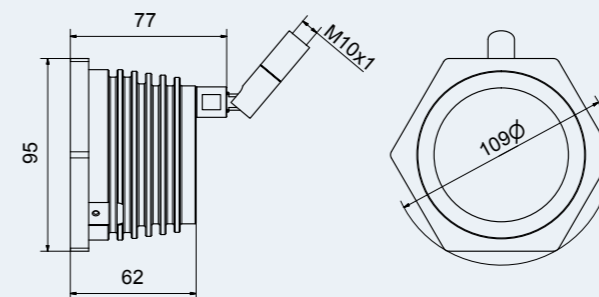
Key advantages

- versatile use
- a wide range of colors
- can be mounted on soft top ceilings
- lifetime up to 100 000 h (L80B10)
- modern design and durable finish
- made in Poland

Application

- offices
- shops
- advertising backlight
- hotels
- museums
- shopping centre
- restaurants

Dimensions [mm]



Technical data

Light source	COB
Power consumption	20 W
Luminaire luminous flux	2 300 - 2 500 lm
Luminaire efficacy	115 - 125 lm/W
Colour temperature	4 000 K, other colours on request
Colour rendering index (CRI)	80, 90
Lumen maintenance output	100 000 h (L80B10)
Operating temperature	-25°C do +40°C
Beam angles	15°, 24°, 36°, 60°
Material	aluminium flat
Finish	powder coating
Colour	anthracite; other colours on request

Optics	reflector
Diffuser	PMMA
Ingress protection rating	IP20
Impact protection rating	IK03
Weight	0.5 kg
Voltage	230 V
Frequency	50 Hz
Warranty	5 years
Control systems	optional

Full selection of optic beam angles available on the website www.lumiteam.eu

Family

INDEX NO	NAME	POWER	LUMINAIRE LUMINOUS FLUX	LUMINAIRE EFFICACY	RA/CRI
S620200012XXXXXBAAA1	MAIA PROJECTOR 20 W, COB LED, CRI 80, OPT	20 W	2 500 lm	125 lm/W	80
S620200013XXXXXBAAA1	MAIA PROJECTOR 20 W, COB LED, CRI 90, OPT	20 W	2 300 lm	115 lm/W	90

When ordering, please specify the desired beam angle curve and colour temperature.

Luminous flux tolerance +/- 10%. Power consumption tolerance depends on the power level - less than 100 W or equal to 100 W power consumption tolerance is 5%, over 100 W - 2.5%. The luminous flux, light intensity distribution and light efficiency were tested according to PN-EN 13032-4:2015-09 and PN-EN 60598-1:2015-04 at an ambient temperature of 25°C. Accessories for installation are quoted separately by the manufacturer.

Colors and accessories



SUFINI LED PANEL



Scan QR code for full product details, photos and downloads.

CEILING LED LUMINAIRE SUITABLE FOR RECESSED CEILINGS OR SURFACE MOUNTING



Technical data

Light source	LED	Ingress protection rating	IP20
Power consumption	40 W	Impact protection rating	IK09
Luminaire luminous flux	4 200 - 4 600 lm	Weight	flush 4 kg surface 2.5 kg / 4.2 kg / 4.5 kg
Luminaire efficacy	105 - 115 lm/W	Voltage	230 V
Colour temperature	4 000 K	Frequency	50 Hz
Colour rendering index (CRI)	80	Warranty	5 years
Lumen maintenance output	50 000 h*	Control systems	optional
Operating temperature	5°C do 25°C		
Mounting options available	surface mounted, flush mounted		
Lampshade material	plastic		
Housing material	steel		
Colour	white, black		

* The total lighting time cannot exceed 12 hours / day.

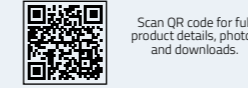
Family

INDEX NO	NAME	POWER	LUMINAIRE LUMINOUS FLUX	LUMINAIRE EFFICACY	RA/CRI	DIMENSIONS
SU40W840MPRMBN1	SUFINI LED 40 W, CRI 80	40 W	4 200 lm	105 lm/W	80	600x600x35 mm
SU40W840MPRMBN3	SUFINI LED 40 W, CRI 80	40 W	4 300 lm	108 lm/W	80	1200x300x35 mm
SU40W840MPRMBN1	SUFINI LED 40 W, CRI 80	40 W	4 500 lm	113 lm/W	80	600x600x35 mm
SU40W840MPRMBN3	SUFINI LED 40 W, CRI 80	40 W	4 400 lm	110 lm/W	80	1200x300x35 mm
SU40W840MPRMBP1	SUFINI LED 40 W, CRI 80	40 W	4 300 lm	108 lm/W	80	595x595x34 mm
SU40W840MPRMBP3	SUFINI LED 40 W, CRI 80	40 W	4 400 lm	110 lm/W	80	1195x295x34 mm
SU40W840MPRMBP1	SUFINI LED 40 W, CRI 80	40 W	4 600 lm	115 lm/W	80	595x595x34 mm
SU40W840MPRMBP3	SUFINI LED 40 W, CRI 80	40 W	4 400 lm	110 lm/W	80	1195x295x34 mm
SU40W840MPRMBP1	SUFINI LED 40 W, CRI 80	40 W	4 500 lm	113 lm/W	80	1195x295x34 mm

When ordering, please specify the desired beam angle curve and colour temperature.

Luminous flux tolerance +/- 10%. Power consumption tolerance depends on the power level - less than 100 W or equal to 100 W power consumption tolerance is 5%, over 100 W - 2.5%. The luminous flux, light intensity distribution and light efficiency were tested according to PN-EN 13032-4: 2015-09 and PN-EN 60598-1: 2015-04 at an ambient temperature of 25°C. Accessories for installation are quoted separately by the manufacturer.

LINEA DECO LED

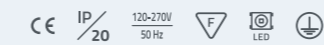


Scan QR code for full product details, photos and downloads.

A LINEAR LED LUMINAIRE THAT WILL DECORATE ANY INTERIOR



LINEA DECO LED is a luminaire, with which you can create long light lines of simple or custom shapes. Branded components and perfect workmanship ensure aesthetics and durability for many years and its thoughtfully designed light line gives the luminaire a unique character. LINEA DECO LED is a perfect solution for offices and conference centres, shops and public buildings. Full customization to the specific project and individual requirements of each customer gives the possibility to achieve a unique lighting effect.



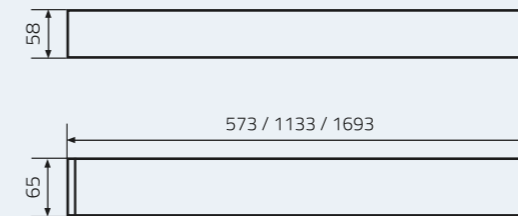
Key advantages

- luminaire efficacy 109 lm/W
- wide variety of options
- versatile use
- a choice of three luminaire lengths
- reflector for greater uniformity of the light beam
- quick montage
- modern design
- two mounting options (suspended or surface mounted)
- made in Poland

Application

- offices
- conference rooms and centers
- shops
- public utility facilities

Dimensions [mm]



Technical data

Light source	LED	Ingress protection rating	IP20
Power consumption	17 - 50 W	Weight	0.8 kg, 1.8 kg, 3 kg
Luminaire luminous flux	1 450 - 4 800 lm	Voltage	230 V
Luminaire efficacy	85 - 109 lm/W	Frequency	50 Hz
Colour temperature	3 000 K, 4 000 K	Warranty	5 years
Colour rendering index (CRI)	80	Control systems	optional
Lumen maintenance output	50 000 h*		
Mounting options available	surface mounted, suspended		
Lampshade material	plastic		
Housing material	stop aluminium		
Colour	white, silver, black		

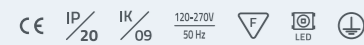
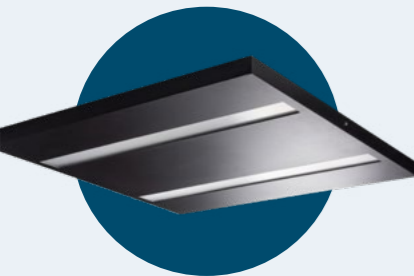
* The total lighting time cannot exceed 12 hours / day.

Family

INDEX NO	NAME	POWER	LUMINAIRE LUMINOUS FLUX	LUMINAIRE EFFICACY	RA/CRI	LENGHT
LIN17W840MATS	LINEA LED 17 W, CRI 80	17 W	1 450 lm	85 lm/W	80	573 mm
LIN17W840MPRSR	LINEA LED, 17 W, CRI 80	17 W	1 600 lm	90 lm/W	80	573 mm
LIN17W840MPRSR	LINEA LED 23 W, CRI 80	23 W	2 200 lm	109 lm/W	80	1133 mm
LIN23W840MPRSR	LINEA LED 23 W, CRI 80	23 W	2 350 lm	102 lm/W	80	1133 mm
LIN23W840RSTSR	LINEA LED 23 W, CRI 80	23 W	2 500 lm	86 lm/W	80	1133 mm
LIN33W840MPRSR	LINEA LED 33 W, CRI 80	33 W	2 950 lm	89 lm/W	80	1133 mm
LIN33W840RSTSR	LINEA LED 33 W, CRI 80	33 W	3 200 lm	97 lm/W	80	1133 mm
LIN50W840MPRSR	LINEA LED 50 W, CRI 80	50 W	4 400 lm	88 lm/W	80	1693 mm
LIN50W840RSTSR	LINEA LED 50 W, CRI 80	50 W	4 800 lm	96 lm/W	80	1693 mm

When ordering, please specify the desired beam angle curve and colour temperature.

Luminous flux tolerance +/- 10%. Power consumption tolerance depends on the power level - less than 100 W or equal to 100 W power consumption tolerance is 5%, over 100 W - 2.5%. The luminous flux, light intensity distribution and light efficiency were tested according to PN-EN 13032-4: 2015-09 and PN-EN 60598-1: 2015-04 at an ambient temperature of 25°C. Accessories for installation are quoted separately by the manufacturer.



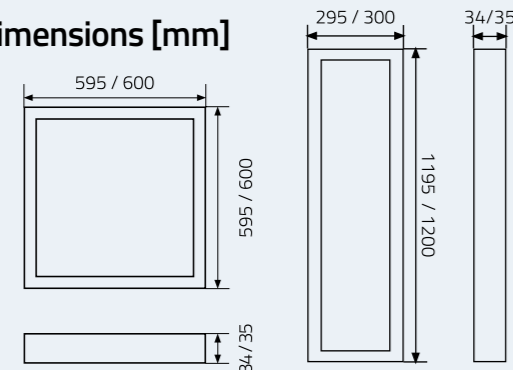
Key advantages

- elegant, extremely flat design
- wide range of parameters
- versatile use
- easy assembly
- can be used in a surface-mounted version or flush-mounted
- modern design
- available in two sizes
- made in Poland

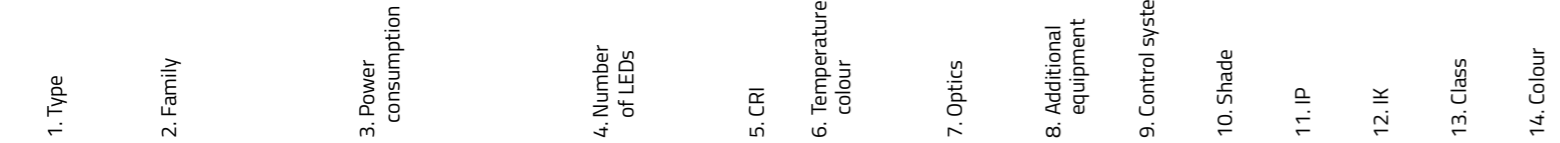
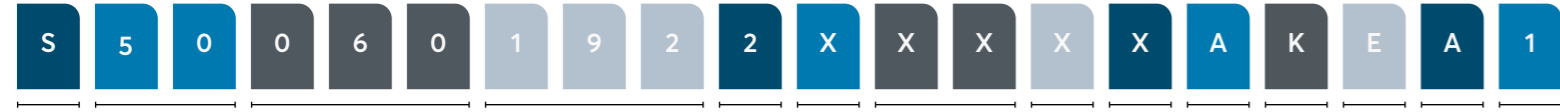
Application

- offices
- conference rooms and centers
- auditorium
- shops and shopping malls
- public utility facilities

Dimensions [mm]



INDEX



1. Type

S – Standard
N – Non standard

2. Family

10 – BEETLE HB

20 – SQUARE LED HIGH BAY
21 – SQUARE PETROL LED
22 – SQUARE FLOODLIGHT DUE
23 – SQUARE FLOODLIGHT TRE
24 – SQUARE FLOODLIGHT QUATTRO
25 – SQUARE FLOODLIGHT CINQUE
26 – SQUARE FLOODLIGHT SEI
27 – SQUARE FLOODLIGHT SETTE
28 – SQUARE FLOODLIGHT OTTO
2E – SQUARE LED EX
2T – SQUARE TUNNEL LED
2Z – SQUARE ZEBRA LED
2V – SQUARE 24V

30 – CITY STREET LED MINI
31 – CITY STREET LED MIDI
32 – CITY STREET LED MAXI

41 – LUCA HERMETIC LED
43 – LUCA HERMETIC LED 24 V
4W – LUCA LED WALL WASHER

50 – BEETLE II LED HB
51 – BEETLE II PETROL LED
52 – BEETLE II FLOODLIGHT DUE
53 – BEETLE II FLOODLIGHT TRE
54 – BEETLE II FLOODLIGHT QUATTRO
55 – BEETLE II FLOODLIGHT CINQUE
56 – BEETLE II FLOODLIGHT SEI
57 – BEETLE II FLOODLIGHT SETTE
58 – BEETLE II FLOODLIGHT OTTO
5E – BEETLE II LED EX
5T – BEETLE II TUNNEL LED

60 – MAIA SPOTLIGHT LED
61 – MAIA DOWNLIGHT LED
62 – MAIA LED PROJECTOR

3. Power consumption

000 – luminaire power

4. Number of LEDs in the luminaire

000 – number of LEDs in the housing

5. RA/CRI

X – to be confirmed
1 – ≥ 70
2 – ≥ 80
3 – 90

6. Colour temperature

X – to be confirmed
3 – 3 000K
4 – 4 000K
7 – 5 700K

7. Optics

XX – to be confirmed
0 – no optics
99 – raster

10 – BEETLE 89° OPTICS: CS14263_HB-IP-2X6-WWW
11 – BEETLE 27/118° OPTICS: CS14597_HB-IP-2X6-O
12 – BEETLE 55° OPTICS: CS14130_HB-IP-2x6-W
13 – BEETLE 25° OPTICS: CS14891_HB-IP-2X6-M
14 – BEETLE 15° OPTICS: PLL120001TR
15 – BEETLE 14-B OPTICS: CS15158_STRADA-IP-2X6-T4-B

20 – SQUARE 37/103° OPTICS: C13749_HB-2X2-O
21 – SQUARE 55° OPTICS: C14605_HB-2X2-RW
22 – SQUARE 94° OPTICS: C14724_HB-2X2-WWW
23 – SQUARE 50° OPTICS: C14606_HB-2X2-WW
24 – SQUARE 10° OPTICS: C14541_HB-2x2 RS

30 – CITY OPTICS: C13301_STRADA-2X2-T3
31 – CITY OPTICS: C13604_STRADA-2X2-FN
32 – CITY OPTICS: C13936_STRADA-2X2-B2-STP
33 – CITY OPTICS: C14680_STRADA-2X2-VSM
34 – CITY OPTICS: C14750_STRADA-2X2-CAT
35 – CITY OPTICS: C15014_STRADA-2X2-T4-B
36 – CITY OPTICS: C15021_STRADA-2X2-5CL
37 – CITY OPTICS: C12362_STRADA-2X2-DWC
38 – CITY OPTICS: C13299_STRADA-2X2-ME
39 – LEDIL T2
3A – CITY OPTICS: C14116_STRADA-2X2-PX

40 – LUCA 30° OPTICS: PLL2091WIIP
41 – LUCA 60° OPTICS: PLL2091EWIP
42 – LUCA 90° OPTICS: PLL2091UWIP
43 – LUCA 1 x 20° OPTICS: PLL2091ASIP
44 – LUCA OPTICS 2 x 20°: PLL2091AXIP

50 – BEETLE II 30° OPTICS: 1.02.81539_PC
51 – BEETLE II 60° OPTICS: 1.02.81532_PC
52 – BEETLE II 90° OPTICS: 1.02.81531_PC
53 – BEETLE II ASYMMETRIC OPTICS: 1.02.81524_TYPE-S
54 – BEETLE II ASYMMETRIC OPTICS: 1.02.81599_TYPE-S
55 – BEETLE II ASYMMETRIC OPTICS: 1.02.81542_TYPE-S
56 – BEETLE II ASYMMETRIC OPTICS: 1.02.81598_TYPE-S
57 – BEETLE II ASYMMETRIC OPTICS: 1.02.81525_TYPE
58 – BEETLE II ASYMMETRIC OPTICS: 1.02.92106_Spotlights T4
59 – BEETLE II 20° OPTICS: 1.02.91931_PC
5A – WAREHOUSE BEETLE II OPTICS: C16156_STRADILLA-16-HB-O
5B – BEETLE II ASYMMETRIC OPTICS: C17360_SPORT-2X2-FT60
5C – BEETLE II ASYMMETRIC OPTICS: C17410_SPORT-2X2-FT61-2X2-FT6

60 – MAIA OPTICS: C16B23_ELISE-70-S - reflector 15°
61 – MAIA OPTICS: C16B24_ELISE-70-M - reflector 24°
62 – MAIA OPTICS: C16B25_ELISE-70-W - reflector 36°
63 – MAIA OPTICS: C16B26_ELISE-70-WW - reflector 60°

8. Additional equipment

X – to be confirmed
0 – no additional equipment
U – BEETLE / SQUARE handle
K – PETROL mounting brackets
N – LUCA mounting brackets
S – steel structure FLOODLIGHT
P – CITY mounting bracket
G – SPORT protective grille
T – TUNNEL stainless steel housing
B – PETROL box housing
A – ATEX junction box

9. Control system

X – to be confirmed
0 – without control system
1 – 1V-10V
2 – DALI
3 – NEMA
4 – ZHAGA
5 – MICROWAVE SENSOR

10. Lamphshade type

A – tempered glass
B – PMMA
C – PC

11. Ingress protection rating (IP)

A – IP20
B – IP21
C – IP22
D – IP43
E – IP44
F – IP50
G – IP54
H – IP60
I – IP65
J – IP66
K – IP67
L – IP68

12. Impact protection rating (IK)

A – 01-05
B – 06
C – 07
D – 08
E – 09
F – 10

13. Protection class

A – I class
B – II class
C – not applicable

14. Colour

1 – anthracite (RAL 7021)
2 – white (RAL 9003)
3 – black (RAL 9005)
4 – gray (RAL 9006)
P – personalized

Additional shortcuts:

Luminaire
OPL – opal diffuser
RYF – diffuser with a prismatic structure
INT – narrow beam
ASY – asymmetric

Linea
MAT – matt diffuser
MPR – micropismatic diffuser
RST – raster
W – housing color: white
B – housing color: black
SR – housing color: silver

Surfina
MPRM – micropismatic diffuser
N1 – 600x600 surface-mounted version
N3 – surface version 1200x300
P1 – flush-mounted version 595x595
P3 – flush-mounted version 1195x295
W – housing color: white
B – housing color: black

Ex marking: for BEETLE LED EX version and SQUARE LED EX version:

Interpretation of the device use limitations by means of the symbols found in the following marking and on the device's plate:

Name	Symbol	Description
Special explosion proof protection marking		Symbol of device intended for use in potentially explosive atmosphere
Device group	II	Device intended for use in explosive atmospheres other than underground mine
Device category	3G	Device can safely work in zone 2 of explosion hazard of gas, vapours, or clouds of flammable liquids mixed with air
	3D	Device can safely operate in zone 22 dust explosion hazard
Type of construction	Ex ec	Securing devices with reinforced "e" construction
	Ex tc	Device secured from dust ignition with the housing type "t"
Group	IIC	Device can be used in the presence of explosion hazard gases, vapours and mists of flammable liquids with air classified as explosive groups IIA, IIB, IIC.
	IIIC	Device can be used in the presence of explosion hazard of combustible dusts and filaments belonging to explosion groups IIIA, IIIB, IIIC (all types of dusts).
Temperature class	T4	Device intended for use in potentially explosive atmospheres of gases with self-ignition temperature >135°C
	T5	Device intended for use in potentially explosive atmospheres of gases with self-ignition temperature >100°C
Temperature	T85 C	Device can be used in presence of dusts whose cloud self-ignition temperature is higher than 105°C, and the glowing temperature of the layer (5 mm) is higher than 145°C.
Explosion protection level	Gc	Device intended for installation in gas explosion hazard zones with an "enhanced" level of protection, providing „normal safety" and which will not become a source of ignition under normal conditions of use and during expected damage (e.g. light source damage)
	Dc	Device intended for installation in dust explosion hazard zones with an "enhanced" level of protection, providing „normal safety" and which will not become a source of ignition under normal conditions of use and during expected damage (e.g. light source damage)

ICONS

CE declaration of conformity

IP₆₇ Ingress protection rating

IK₀₉ Impact protection rating

120-270V
50 Hz supply voltage and frequency

F installation on a flammable surface

LED LED source

1st class of protection against electric shock

2nd class of protection against electric shock

ATEX certificate

24V voltage in volts



Sports hall lighting at the Sports and Recreation Center of Grodzisk Mazowiecki, Poland



Scan QR code for full project details, photos and downloads.



Wanaty, Warszawska 2E
42-260 Kamienica Polska
Poland

Tel: +48 34 347 42 80
E-mail: info@lumiteam.eu

NIP: 573 29 10 520

www.lumiteam.eu

The latest product data is available on our website at www.lumiteam.eu
We reserve the right to make constructional changes to the luminaires.
Document creation date: 2023-11-21